

MODEL TJFU

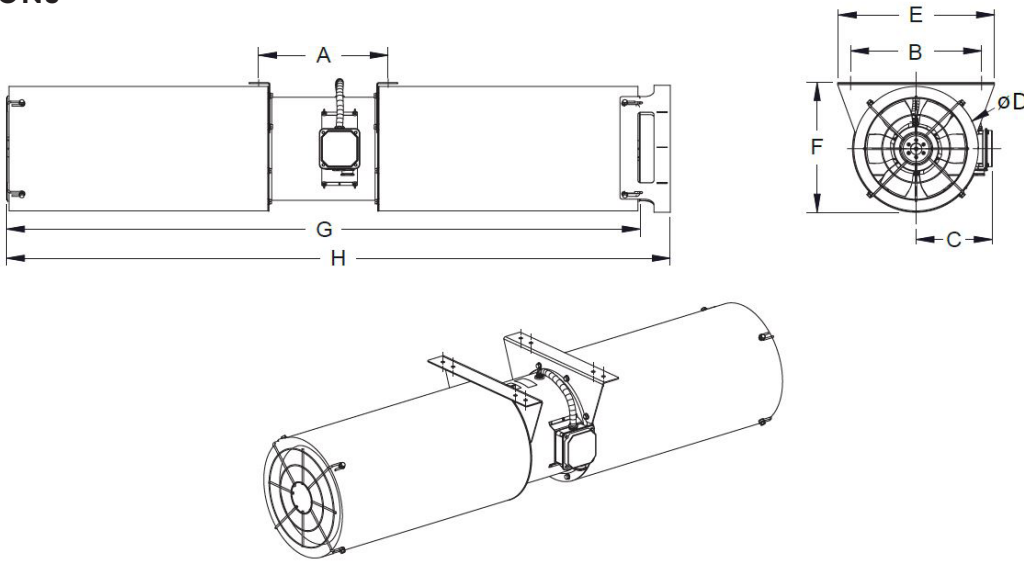
Axial Jet Fan



FEATURES

- Thrust air between 8 and 89N
- Air flow up to 6474 CFM
- cULus 705 Listed
- Available in 60 Hz; 230V, 460V and 575V
- For daily ventilation
- Industry Best 5 year housing warranty, 1 year motor

DIMENSIONS



	A	B	C	D	E	F	G	H	Weight (lb)
TJFU-315	12-3/16	15-15/16	9-5/16	15-3/16	19-1/8	15-5/8	69	71-1/4	123
TJFU-355	12-3/16	17-1/2	10-3/16	16-3/4	20-11/16	17-3/16	69	71-1/4	165
TJFU-400	12-3/16	19-15/16	11-1/8	19-1/8	23-1/16	19-5/8	69	71-1/4	194

NOTE: All dimensions shown are in inches.

* Approximate unit weight includes an average cataloged motor and no crating.

PERFORMANCE

Model	Number of Poles	RPM	Thrust (N)	Flow (CFM)	Nominal Power (kW)	Full Load Current 230V (A)	Full Load Current 460V (A)	Full Load Current 575V (A)	Frequency (Hz)	Sound Level (LwA)	Sound Pressure* (LpA) 5 ft
TJFU-315	2 / 4	3440 / 1720	33 / 8	3119 / 1560	1.1 / 0.25	4.6 / 1.46	2.30 / 0.73	1.84/0.58	60	84/66	73/53
TJFU-355	2 / 4	3400 / 1700	57 / 14	4591 / 2295	1.5 / 0.37	5.83 / 1.88	2.91 / 0.94	2.33/0.75	60	87 / 71	75/58
TJFU-400	2 / 4	3460 / 1710	89 / 22	6474 / 3237	3.1 / 0.8	11.4 / 3.98	5.72 / 1.99	4.57/1.59	60	91/74	80/61

*Sound pressure, at 5 feet hemispherical, in free field conditions, for comparison

SOUND DATA

2 POLE

TJFU	63	125	250	500	1K	2K	4K	8K	LwA
315	66	66	68	79	78	79	71	66	84
355	61	69	72	82	82	81	74	68	87
400	72	74	73	82	86	87	80	75	91

4 POLE

TJFU	63	125	250	500	1K	2K	4K	8K	LwA
315	45	54	58	61	61	54	50	43	66
355	48	58	62	65	67	58	54	47	71
400	51	62	65	70	67	64	60	52	74