

# MODEL TRe300

(Energy Recovery Ventilators (ERV) - EC Motor Standard)



## Specifications

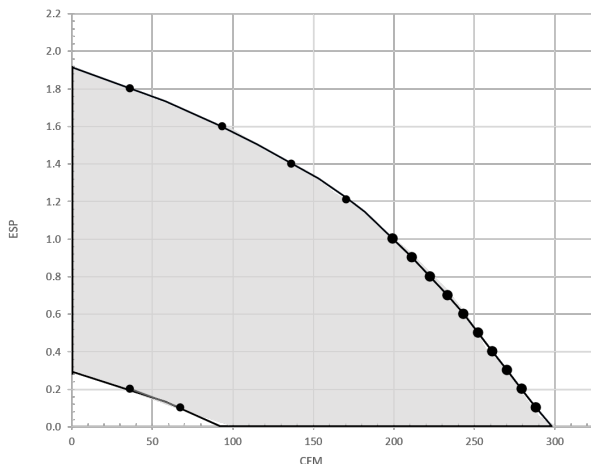
<b>Ventilation Type:</b> Static Plate, Heat and Humidity Transfer
<b>Typical Airflow Range:</b> 30-280 CFM
<b>Unit is HVI Tested/Certified per CSA C439</b>
<b>Protocol:</b> Using one L-50-G5 Core
<b>Standard Features:</b> <ul style="list-style-type: none"> <li>• White painted cabinet</li> <li>• Line-cord power supply</li> <li>• Low-voltage circuit for controls</li> <li>• Unit may be mounted in any orientation</li> <li>• Cross-core differential pressure ports</li> <li>• Dial-A-Flow - balance and airflow adjustment</li> <li>• Variable speed</li> <li>• Continuous mode (low speed) Boost mode (high speed)</li> </ul>
<b>Controls:</b> Onboard digital controller with independent variable speeds
<b>Filters:</b> QTY 2: MERV 8, spun-polyester media: 10 1/2" X 21 3/4" X 1"
<b>Unit Dimensions &amp; Weight:</b> 23 3/4" L X 18" W X 24 1/4" H 52 lbs.
<b>Max. Shipping Dimensions &amp; Weight (in carton):</b> 33" L x 22" W x 29" H 66 lbs.
<b>Motor(s):</b> Qty. 2, 115 VAC EC motorized impeller

## EC Operating Range

Airflow (CFM)	External Static Pressure (inches w.g.)	Unit Power Consumption
<b>Max Speed</b>		
288	0.1	177
280	0.2	178
269	0.3	179
261	0.4	180
252	0.5	180
244	0.6	180
233	0.7	179
222	0.8	179
212	0.9	178
199	1.0	176
170	1.2	170
136	1.4	160
93	1.6	142
36	1.8	110
<b>Min. Speed</b>		
67	0.1	19
36	0.2	17

\*Airflow performance includes effect of clean standard filter

\*Watts is for the entire unit



## Core Performance

Airflow(CFM)	Sensible EFF %	Total EFF% Winter/Summer*
<b>Max Speed</b>		
288	71	63/45
280	71	64/46
269	72	65/47
261	72	65/48
252	73	66/49
244	73	67/50
233	74	68/51
222	75	69/52
212	75	69/53
199	76	70/54
170	78	73/57
136	80	75/60
93	83	79/64
36	86	83/69
<b>Min. Speed</b>		
67	85	81/67
36	86	83/69

\*These are core only ratings and are not HVI certified. HVI ratings apply to complete units only.

## Electrical Data

Watts	Volts	HZ	Phase	FLA per motor	Min. Cir. Amps	Max Overcurrent Protection
85	120	60	1	1.22	10	10

All specifications are subject to change without notice unless approved in submittal by S&P.

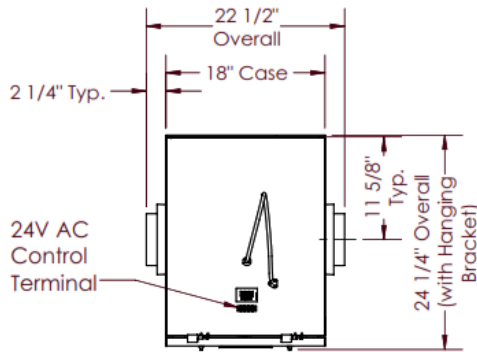
TRe300\_Submittal\_v1\_012022



**ADVANCING VENTILATION®**

# MODEL TRe300

(Energy Recovery Ventilators (ERV) - EC Motor Standard)

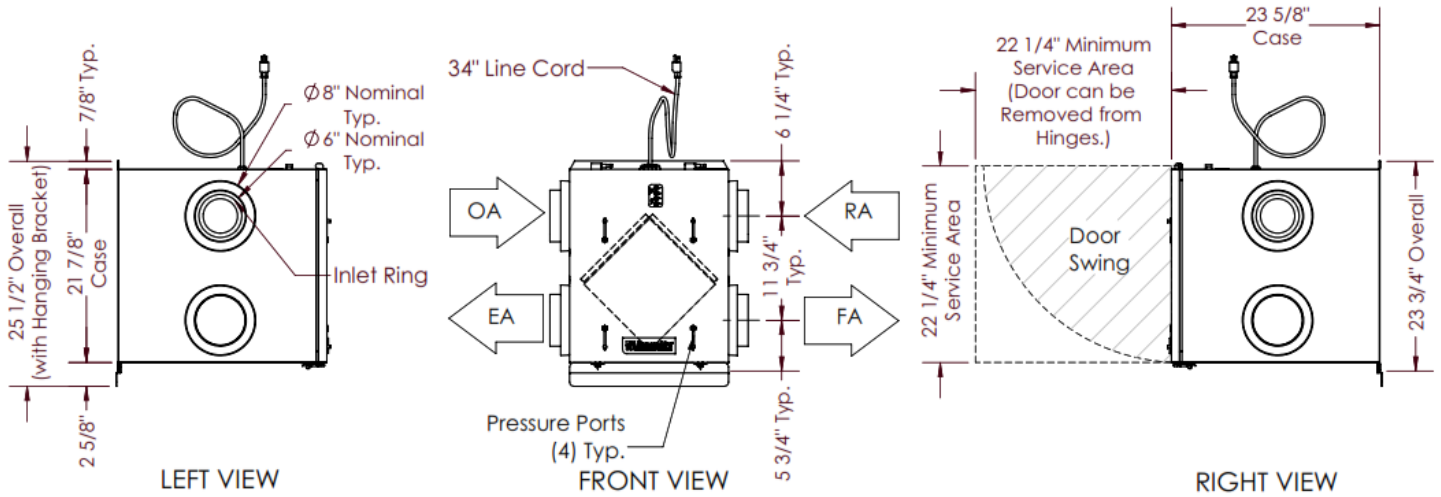


TOP VIEW

**ABBREVIATIONS**  
 EA: Exhaust Air to Outside  
 RA: Room Air to be Exhausted  
 FA: Fresh Air to Inside  
 OA: Outside Air Intake

**INSTALLATION ORIENTATION**  
 Unit may be installed in any orientation.  
 RA/EA airstream can be switched with OA/FA airstream.

**NOTE:**  
 1. UNLESS OTHERWISE SPECIFIED, DIMENSIONS ARE ROUNDED TO THE NEAREST EIGHTH OF AN INCH.  
 2. SPECIFICATIONS MAY BE SUBJECT TO CHANGE WITHOUT NOTICE.



LEFT VIEW

FRONT VIEW

RIGHT VIEW