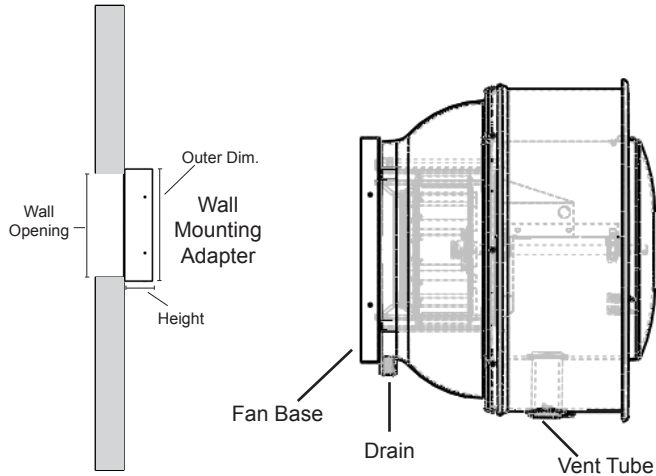




WALL MOUNTING KIT INSTALLATION INSTRUCTIONS MODELS: STXBW & STXDW

P: 1.866.733.0233
www.solerpalaucanada.com



STXB/STXD	Wall Mounting Adapter			
	Part Number	Outer Dim.	Wall Opening	Height
6-10	400555	17.75"	13.5"	6"
12-14	400557	19.75"	15.5"	6"
15-16	400559	23.75"	19.5"	6"
18-22	400561	29.75"	22.5"	6"
24	400563	35.75"	31.5"	6"

INSTALLATION INSTRUCTIONS:

- 1) Cut opening in wall to required size
- 2) Add framing as needed, Wall mounting adapter must be supported on all four sides.
- 3) Lag or thru bolt the Wall Mounting Adapter to the wall and framing
- 4) Attach fan to the wall mount adapter

Note: Disconnect all power before installation/service
 All required fasteners for mounting to be supplied by installer
 Only a qualified professional should perform fan installation
 The Fan **must be installed** with the drain and vent tube on the underside of the fan for weather protection

For additional safety precautions please refer to AMCA Bulletin #410 "Recommended Safety Practices for Users and Installers of Industrial and Commercial Fans.