

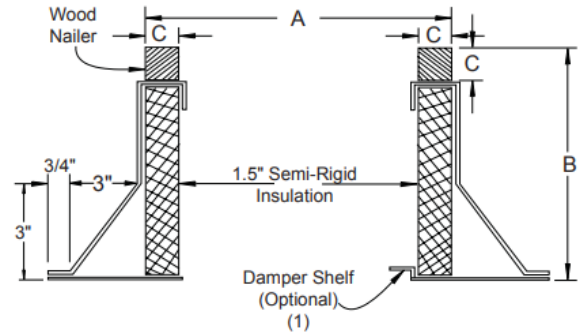


# INSULATED CANTED ROOF CURB

For SDB, SDBD, STXB, STXD

**OPTIONS:**

1. Damper Shelf.
2. Metal Liner - solid or screen type.
3. Burglar bars - 1/2" dia. on 6" centers.
4. Finishes - baked or air-dried enamel or epoxy.
5. Heights: 8, 12, 16, 18, 20, 24" or special heights.
6. Single pitch or double pitch.
7. Aluminum construction.
8. Standard curb is "RF" roof over type. ("SF" available upon request)



Fan Size	"A" OD (SQUARE) CURB (in)	"B" CURB HEIGHT (in)
6-8	16-1/2	12
10	16-1/2	12
12	18-1/2	12
14	18-1/2	12
15	22-1/2	12
16	22-1/2	12
18	28-1/2	12
20	28-1/2	12
22	28-1/2	12
24	34-1/2	12
27	34-1/2	12
30	40-1/2	12
33	40-1/2	12
36	40-1/2	12
42	52-1/2	12
48	52-1/2	12

**NOTES:**

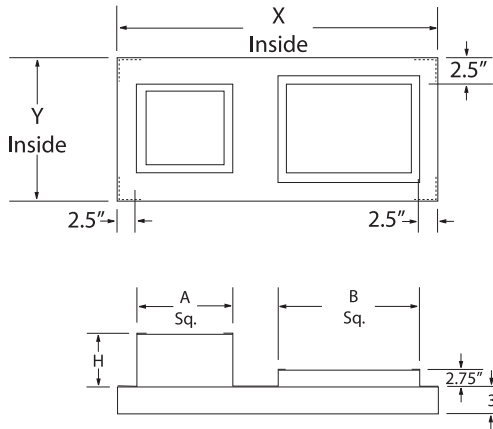
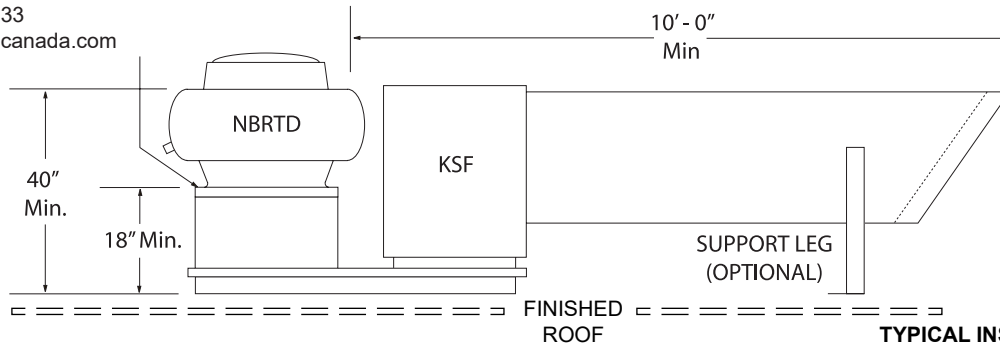
1. Damper shelf opening to be 1" less than damper size. Shelf must be specified is required.
2. All curbs are 18 gauge G-90 galvanized steel with continuous seams.
3. See current curb submittal for all propeller fan roof curbs.

**ROOF OPENING:** Curb O.D. (A Dimension) Less 3.0 inches



P: 1.866.733.0233  
www.solerpalaucanada.com

# EXHAUST & SUPPLY COMMON CURB CAP ADAPTOR FOR MODELS NBRTD & KSF



### TYPICAL INSTALLATION

NFPA96 requires a 10 foot minimum distance between the exhaust fan and supply fan intake. The intake extension (optional) provides this clearance. Also required are hinged curb caps (optional) on the exhaust fan and some areas require a vented curb extension.

### NFPA96 ALTERNATE INSTALLATION

Where space limitations absolutely prevent a 10 foot separation from the air intake, a vertical separation may be permitted with the exhaust outlet being a minimum of 3 feet above any air intake located within 10 feet horizontally. **IMPORTANT:** Always check with the authority having jurisdiction to verify local codes and requirements.

### COMMON CURB AND ADAPTOR

The common curb and adaptor allows for mounting both the exhaust fan and supply fans onto one roof opening. Follow the chart below for sizing and ordering common curbs and adaptors.

MODEL		PART NUMBER COMMON CURB	ROOF CURB OD	PART NUMBER CURB CAP ADAPTOR	CURB CAP ADAPTOR X x Y OD	HEIGHT H Ⓢ	CURB CAP ADAPTOR	
NBRTD	KSF						Exhaust Fan Outlet A Sq.	Supply Fan Outlet B Sq.
14	9	2302.JC 14 x 9	53-3/4 x 27-1/2	2302.JA 14 x 9	54-1/2 x 29	19	19-3/4	23-3/4
18	10	2302.JC 18 x 10	61 x 31-3/4	2302.JA 18 x 10	62-1/2 x 32-3/4	18	23-3/4	27-3/4
18	12	2302.JC 18 x 12	65 x 35-1/4	2302.JA 18 x 12	66-1/2 x 36-3/4	14	23-3/4	31-3/4
24	12/15	2302.JC 24 x 12/15	73 x 35-3/4	2302.JA 24 x 12/15	74-1/2 x 36-3/4	12	29-3/4	31-3/4
30	12/15	2302.JC 30 x 12/15	80 x 35-1/4	2302.JA 30 x 12/15	81-1/2 x 36-3/4	12	35-3/4	31-3/4
30	18	2302.JC 30 x 18	84 x 39-1/4	2302.JA 30 x 18	85-1/2 x 36-3/4	12	35-3/4	35-3/4
30	20	2302.JC 30 x 20	99 x 54-1/4	2302.JA 30 x 20	100-1/2 x 55-3/4	12	35-3/4	50-1/4
36	15	2302.JC 36 x 15	88 x 45-1/4	2302.JA 36 x 15	89-1/2 x 46-3/4	12	41-3/4	31-3/4
36	18	2302.JC 36 x 18	92 x 45-1/4	2302.JA 36 x 18	93-1/2 x 46-3/4	12	41-3/4	35-3/4
36	20	2302.JC 36 x 20	107 x 54-1/4	2302.JA 36 x 20	108-1/2 x 55-3/4	12	41-3/4	50-1/4

Ⓢ Maintains 40" exhaust discharge height when used with a standard 8" high roof curb.

ACCESSORY ITEMS	1	2	3	4	5	ACCESSORY ITEMS	1	2	3	4	5
<input type="checkbox"/>						<input type="checkbox"/>					
<input type="checkbox"/>						<input type="checkbox"/>					
<input type="checkbox"/>						<input type="checkbox"/>					
<input type="checkbox"/>						<input type="checkbox"/>					

Project: \_\_\_\_\_ Submitted: \_\_\_\_\_  
 Customer: \_\_\_\_\_ Approved: \_\_\_\_\_  
 Location: \_\_\_\_\_