



Premium CHOICE with DC Motor

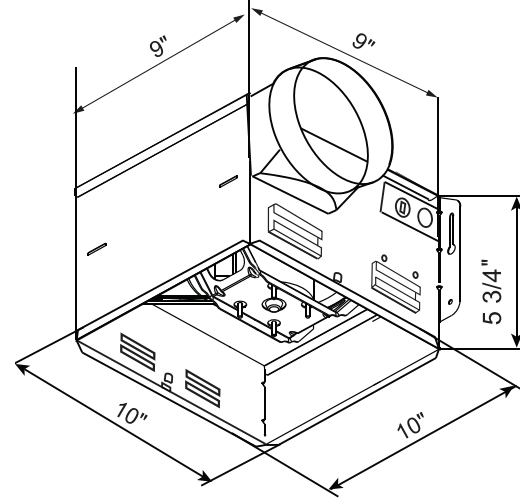
PCD80XH

(Ceiling Mounted Ventilation Fans)



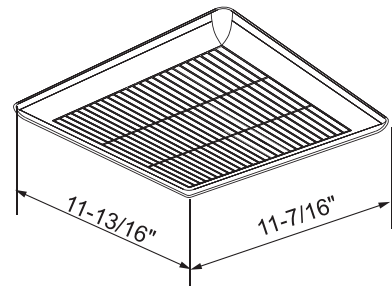
Features & Benefits

- Quiet operation 0.7 to 1.5 Sones
- Integral humidity sensor & Hi/Lo speeds
- 4" duct connector with built-in backdraft damper
- Housing size: 9" x 9" x 5-3/4"
- Robust steel housing
- Attractive, sturdy grille
- Thermally protected motor
- Detects rapid rise in humidity
- Senses humidity at ceiling level
- Adjustable Time Delay shut-off from 5 to 60 minutes
- Field adjustable humidity sensitivity with 50-100% range. Factory setting is 75%
- cETLus Listed
- HVI Certified
- ENERGY STAR® qualified
- 5-year warranty



Options & Accessories

- LED lighted grille kit
- Radiation Damper
- CFL lighted grille kit



Performance

Model	Speed	Duct Size (in)	CFM @ Static Pressure (in. w.g.)		Max Current (Amps)	Power (Watts)	Volts/ Frequency (V/Hz)	Sound (Sones)
			0.1	0.25				
PCD80XH	High	4"	80	61	0.35	15.6	120/60	1.5
	Low		40	20		6.8		0.7

Contact the factory for more information or additional submittal drawings. We are not responsible for fabrication changes or errors resulting from customer use of a non-current submittal drawing.