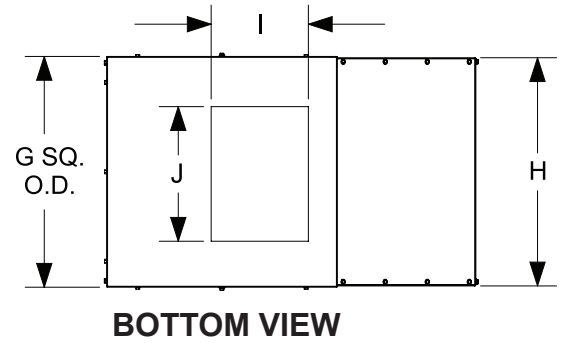
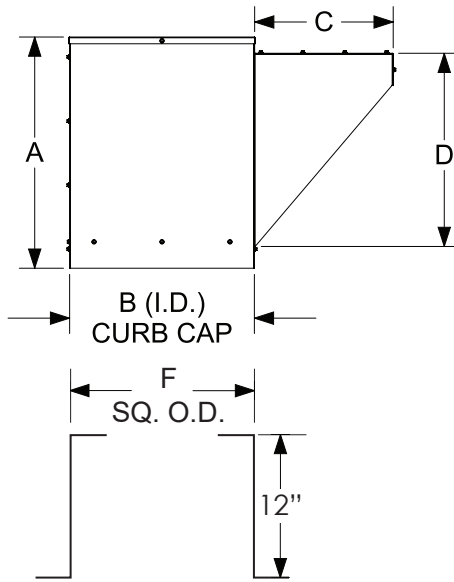




MODEL KSFV KITCHEN SUPPLY FAN WITH VARIATIONS



SIZE	A	B SQ.	C	D	F SQ.	G SQ.	H	I	J	DAMPER O.D.	FILTERS (QTY)
9	30"	23-7/8"	18"	25-1/8"	22-1/2"	24"	24"	10-3/8"	12"	18-1/2"	20 X 20 (1)
10	35"	33-7/8"	18"	30-1/8"	32-1/2"	34"	34"	11-5/8"	13-1/4"	28-1/2"	16 X 25 (2)
12	35"	33-7/8"	18"	30-1/8"	32-1/2"	34"	34"	13-5/8"	15-3/4"	28-1/2"	16 X 25 (2)
15	35"	33-7/8"	18"	30-1/8"	32-1/2"	34"	34"	16-1/8"	18-7/8"	28-1/2"	16 X 25 (2)
18	43-1/8"	41-7/8"	18"	30-1/8"	40-1/2"	42"	42"	19-1/8"	22-1/8"	36-1/2"	20 x 25 (2)
20	49-1/4"	51-1/8"	23"	36-1/4"	49"	51-1/4"	51-1/4"	25"	25-1/8"	44-1/2"	24 X 30 (2)

FAN SPECIFICATIONS									MOTOR SPECIFICATIONS				
Line	Qty.	Model No.	Tag	CFM	SP	Fan RPM	BHP	Sones	HP	Volts	Phase	Hertz	Encl
1													
2													
3													
4													

ACCESSORY ITEMS	1	2	3	4	5	ACCESSORY ITEMS	1	2	3	4	5
<input type="checkbox"/>						<input type="checkbox"/>					
<input type="checkbox"/>						<input type="checkbox"/>					
<input type="checkbox"/>						<input type="checkbox"/>					
<input type="checkbox"/>						<input type="checkbox"/>					

Project: _____	Submitted: _____
Customer: _____	Approved: _____
Location: _____	