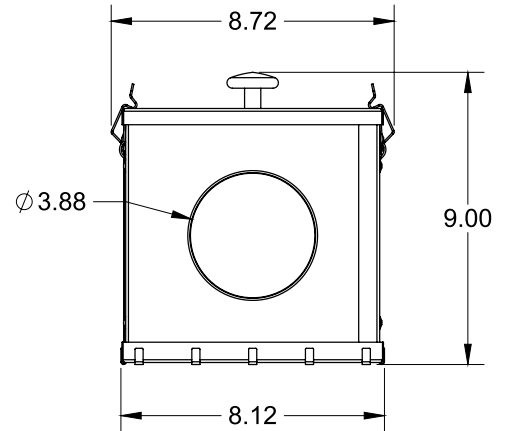
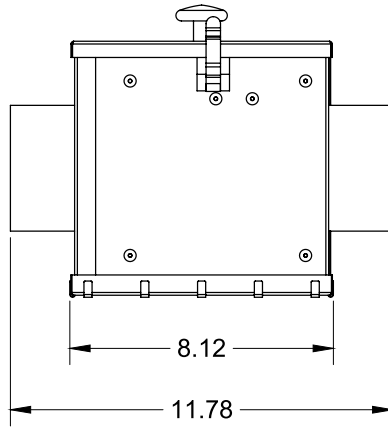


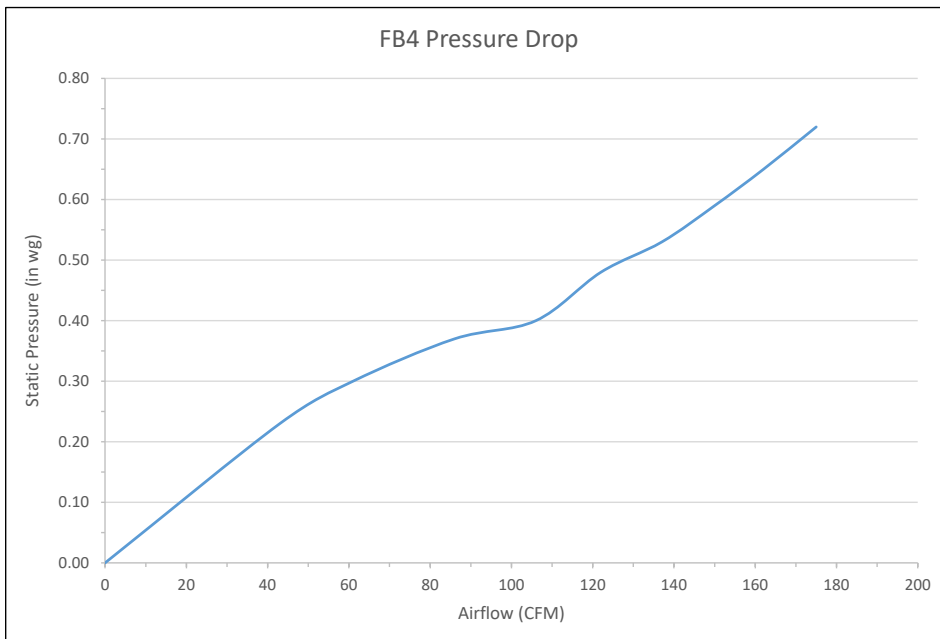


# FB4 - Filter Box



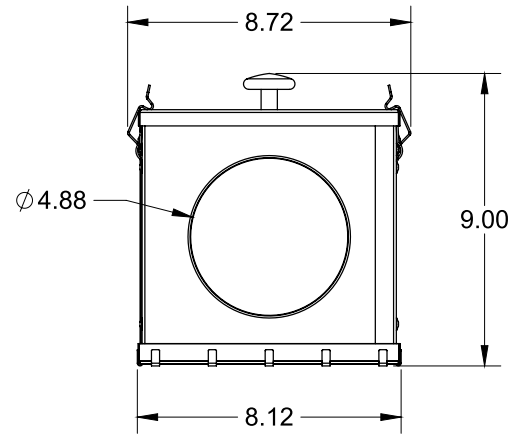
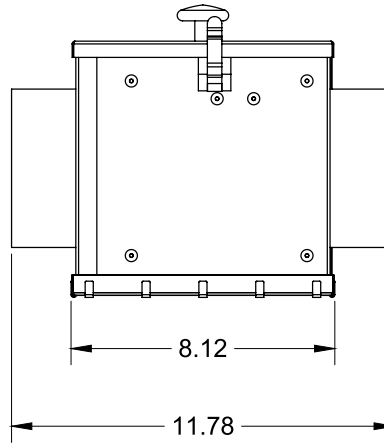
S&P USA Filter Box Pressure Drop	
Model	FB4
Duct Diameter (in)	4
Filter MERV Rating	MERV 8
Filter Dimensions (in)	8 x 8 x 2

Determination	Airflow (CFM)	Pressure Drop (in wg)	Duct Velocity (FPM)	Filter Velocity (FPM)
1	0	0.00	0	0
2	43	0.23	493	97
3	61	0.30	699	137
4	86	0.37	985	194
5	106	0.40	1215	239
6	122	0.48	1398	275
7	137	0.53	1570	308
8	150	0.59	1719	338
9	162	0.65	1856	365
10	175	0.72	2005	394



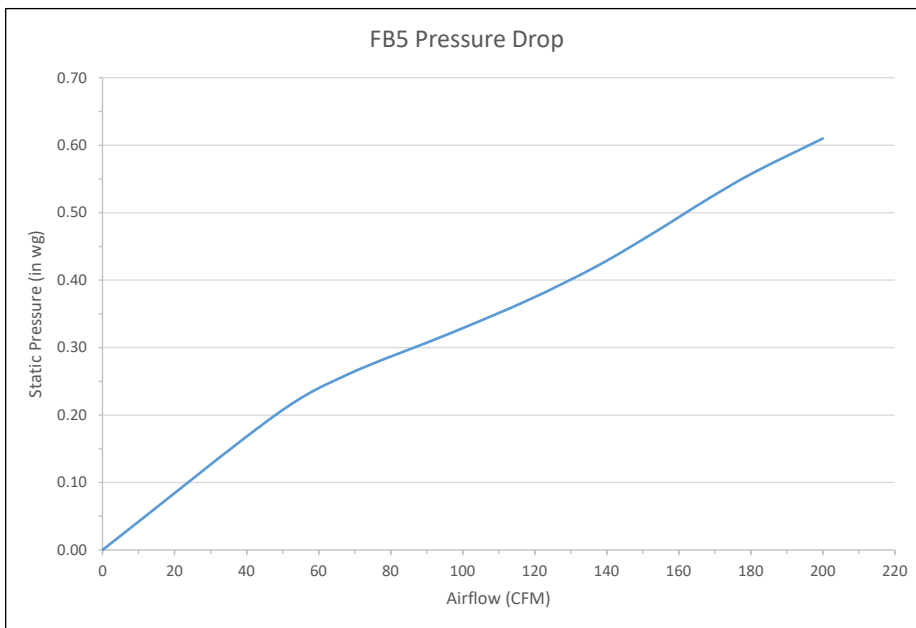


# FB5 - Filter Box



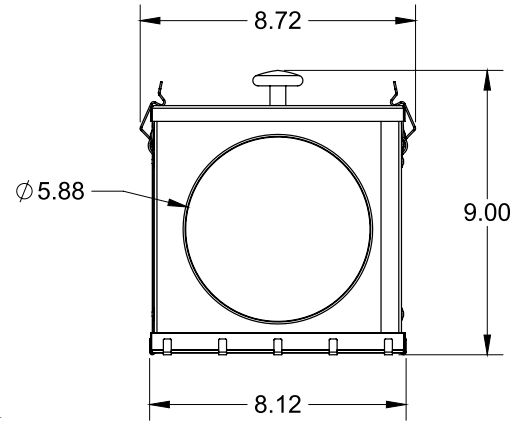
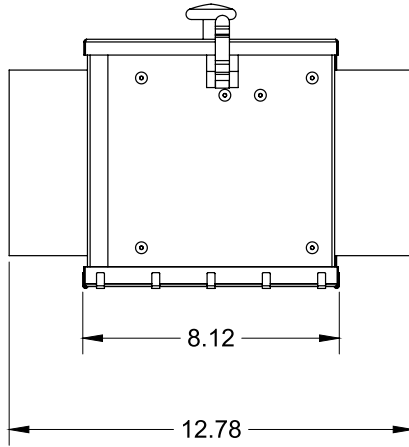
S&P USA Filter Box Pressure Drop	
Model	FB5
Duct Diameter (in)	5
Filter MERV Rating	MERV 8
Filter Dimensions (in)	8 x 8 x 2

Determination	Airflow (CFM)	Pressure Drop (in wg)	Duct Velocity (FPM)	Filter Velocity (FPM)
1	0	0.00	0	0
2	48	0.20	352	108
3	68	0.26	499	153
4	96	0.32	704	216
5	118	0.37	865	266
6	137	0.42	1005	308
7	153	0.47	1122	344
8	168	0.52	1232	378
9	181	0.56	1327	407
10	200	0.61	1467	450





# FB6 - Filter Box



S&P USA Filter Box Pressure Drop	
Model	FB6
Duct Diameter (in)	6
Filter MERV Rating	MERV 8
Filter Dimensions (in)	8 x 8 x 2

Determination	Airflow (CFM)	Pressure Drop (in wg)	Duct Velocity (FPM)	Filter Velocity (FPM)
1	0	0.00	0	0
2	93	0.29	474	209
3	132	0.35	672	297
4	187	0.48	952	421
5	230	0.58	1171	518
6	266	0.69	1355	599
7	297	0.79	1513	668
8	326	0.89	1660	734
9	352	0.98	1793	792
10	400	1.17	2037	900

