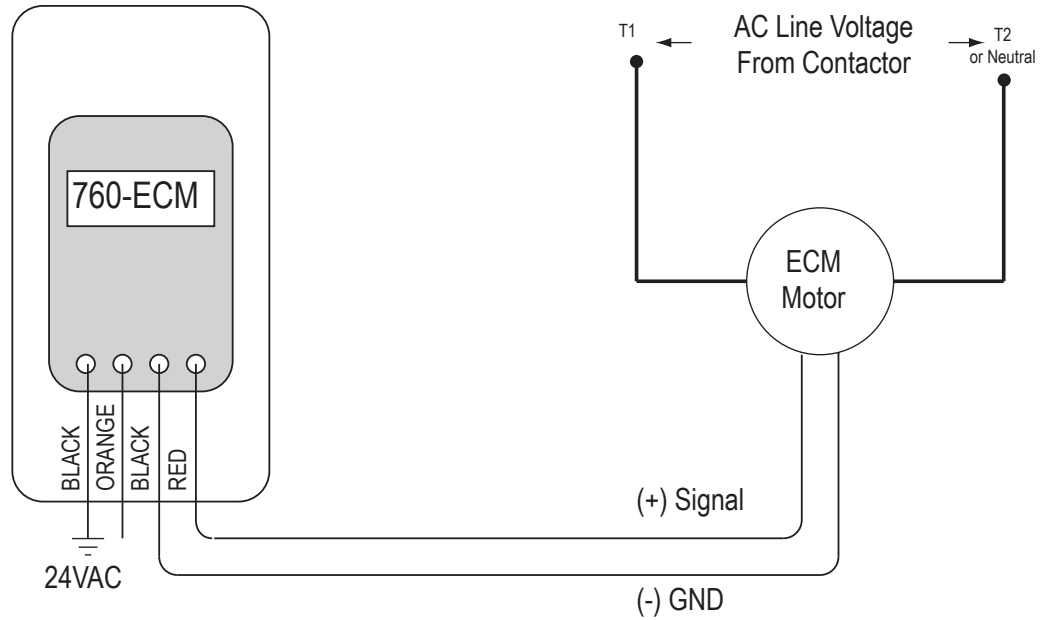




2520- EC Motor Speed Controller



Features

- Motor Types: ECM (dc brushless) Motors
- Motor Speed: Field Adjustable
- Input Voltage: 24VAC (+20%/ -10%)
- Output: 0% to 100% PWM @ 80 Hz
- 13.5 VDC, 5mA (max)
- Max Wire Length (twisted pair) 100ft
- Humidity: 95%, Non Condensing
- Ambient: 32-120 F
- Dimensions (LxWxH): 4.25" x 2.40" x 1.25"

CAUTION
 If a ground reference is applied to the 24 VAC power source, the "grounded" lead must be connected to terminal 24V COM ONLY

| ACCESSORY MODEL | 1 | 2 | 3 | 4 | 5 | REMARKS |
|-----------------|---|---|---|---|---|---------|
| | | | | | | |
| | | | | | | |
| | | | | | | |

Project: _____ Submitted: _____
 Customer: _____ Approved: _____
 Location: _____

Soler & Palau will not be responsible for fabrication changes or errors resulting from customer use of a non-current submittal drawing.