



ADVANCING
VENTILATION®

JencoFan

Breidert
Air Products

Losone Select Series

Inline/Cabinet Ventilators



Installation, Operation and Maintenance Manual

Models: L100EL, L150EL, L200EL, L250EL & L300EL



READ AND SAVE THESE INSTRUCTIONS

The purpose of this manual is to aid in the proper installation and operation of fans manufactured by S&P USA. These instructions are intended to supplement good general practices and are not intended to cover detailed instruction procedures, because of the wide variety and types of fans manufactured by S&P USA.

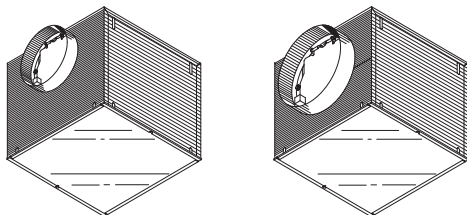


JencoFan



Losone Select Inline Mount Ventilation
Models: L100EL, L150EL, L200EL, L250EL & L300EL

IN-LINE VENTILATORS • 120V



READ AND SAVE THESE INSTRUCTIONS

WARNING

TO REDUCE THE RISK OF FIRE, ELECTRIC SHOCK, OR INJURY TO PERSONS, OBSERVE THE FOLLOWING:

1. Use this unit only in the manner intended by the manufacturer. If you have questions, contact the manufacturer at the address or telephone number listed in the warranty.
2. Before servicing or cleaning unit, switch power off at service panel and lock the service disconnecting means to prevent power from being switched on accidentally. When the service disconnecting means cannot be locked, securely fasten a prominent warning device, such as a tag, to the service panel.
3. Installation work and electrical wiring must be done by a qualified person(s) in accordance with all applicable codes and standards, including fire-rated construction codes and standards.
4. Sufficient air is needed for proper combustion and exhausting of gases through the flue (chimney) of fuel burning equipment to prevent backdrafting. Follow the heating equipment manufacturer's guideline and safety standards such as those published by the National Fire Protection Association (NFPA), and the American Society for Heating, Refrigeration and Air Conditioning Engineers (ASHRAE), and the local code authorities.
5. When cutting or drilling into wall or ceiling, do not damage electrical wiring and other hidden utilities.
6. Ducted fans must always be vented to the outdoors.
7. To reduce the risk of fire, use only metal ductwork.
8. If this unit is to be installed over a tub or shower, it must be marked as appropriate for the application and be connected to a GFCI (Ground Fault Interrupter) - protected branch circuit.
9. Never place a switch where it can be reached from a tub or shower.
10. This unit must be grounded.

CAUTION

1. For general ventilating use only. Do not use to exhaust hazardous or explosive materials and vapors.
2. To avoid motor bearing damage and noisy and/or unbalanced impellers, keep drywall spray, construction dust, etc. off power unit.
3. **If ventilator is installed in an unconditioned space (such as an attic):** Surround the ventilator with thermal insulation - to minimize possible condensation.
4. Please read specification label on product for further information and requirements.

TABLE OF CONTENTS

This manual is divided into sections as follows:

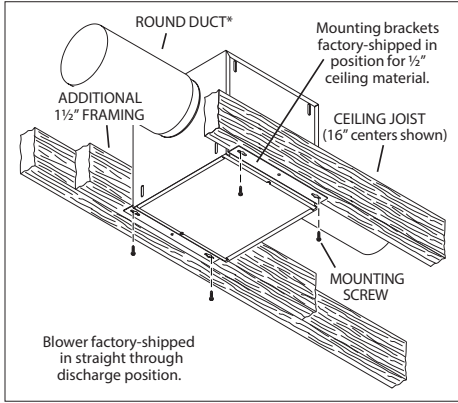
- "TYPICAL INSTALLATION" This section shows a common installation in new and existing, frame construction.
 - Mounting (new construction)
 - Mounting (existing construction)
 - Wiring
 - Ducting (horizontal blower discharge)
- "MOUNTING OPTIONS"
- "WIRING OPTIONS"
 - Wiring Plate Position
- "DUCTING OPTIONS"
 - Blower Discharge Positions
 - Ducting (right angle blower discharge)
- "USE AND CARE"
- "SERVICE PARTS"
- "WARRANTY"

Installer: Leave this manual with the homeowner.

Homeowner: Use and Care information on page 3.

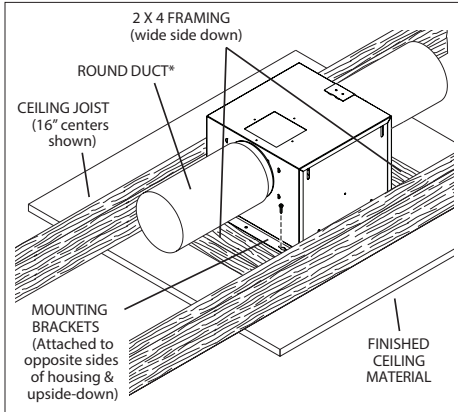
TYPICAL INSTALLATION

MOUNTING (New Frame Construction)



Factory-shipped unit installed in new construction.

MOUNTING (Existing Frame Construction)



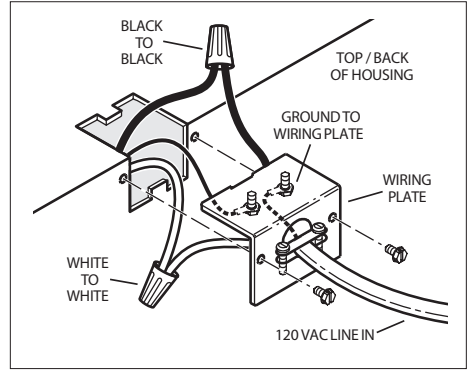
Factory-shipped unit installed in new construction.

*L100L & L150L use 6" round duct.

*L200L, L250L & L300L use 8" round duct.

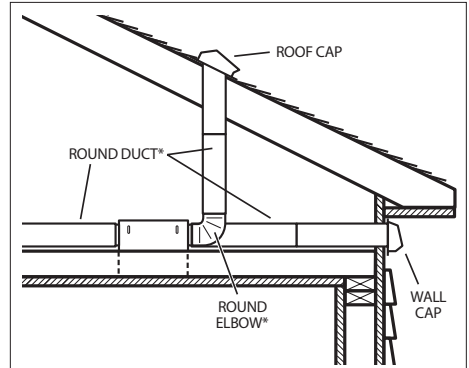
TYPICAL INSTALLATION

WIRING



Ventilator can be wired from outside of housing.
Use UL approved connectors to wire per local codes.

DUCTING (Horizontal blower discharge)



Two ways to connect ductwork to a factory-shipped unit.

*L100L & L150L use 6" round duct.

*L200L, L250L & L300L use 8" round duct.

IMPORTANT:

Remove shipping tape from damper

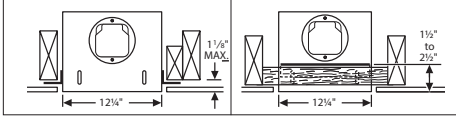
Remove the shipping tape from the damper flap and make sure that damper flap opens and closes freely inside the ductwork. Use duct tape to make ductwork connections secure and air-tight.

Remove shipping ring from blower inlet

Remove the shipping ring from the blower inlet before operating the ventilator.

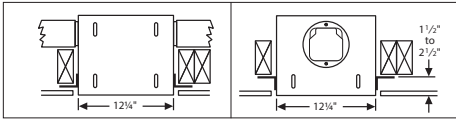
MOUNTING OPTIONS

1/4-20 hex nuts secure mounting brackets to housing.
Loosen and re-tighten or remove and replace nuts
as necessary for desired mounting bracket position.



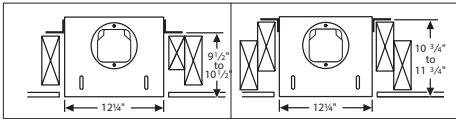
Mounting brackets in
factory-shipped position.
(Outlet parallel to joists.)
(New construction)

Mounting brackets flipped
over and mounted to outlet
sides of housing.
(Outlet parallel to joists.)
(Existing construction)



Mounting brackets mounted
to outlet sides of housing.
(Outlet perpendicular to joists.)
(New construction)

Mounting brackets flipped
over to give approx. 1" more
clearance.
(Outlet parallel to joists.)
(New construction)

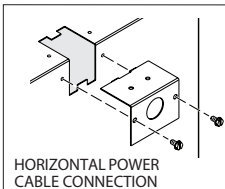


Mounting brackets mounted
to top of sides of housing.
(Outlet parallel to joists.)
(New or existing construction)

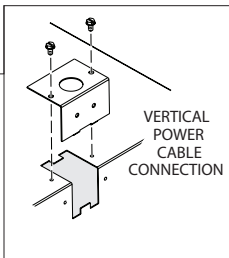
Mounting brackets flipped
over and mounted to top of
sides of housing.
(Outlet parallel to joists.)
(New or existing construction)

WIRING OPTIONS

WIRING PLATE
POSITION



HORIZONTAL POWER
CABLE CONNECTION

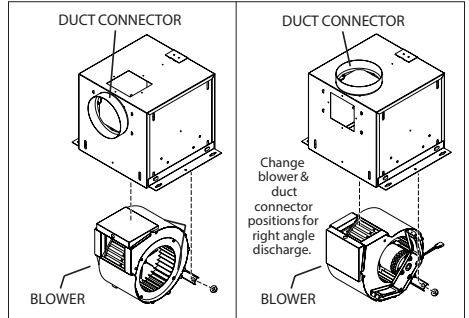


VERTICAL
POWER
CABLE
CONNECTION

Wiring plate mounts to side or top of housing.

DUCTING OPTIONS

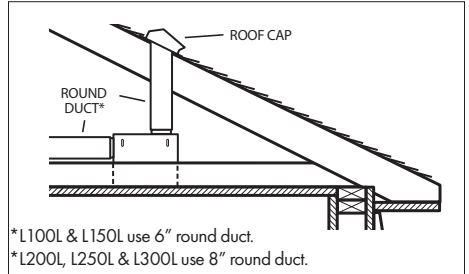
BLOWER DISCHARGE POSITIONS



Blower and duct connector in
straight through discharge position.
(Factory shipped)

Blower and duct connector in
right angle discharge position.

DUCTING (Right angle blower discharge)



*L100L & L150L use 6" round duct.
*L200L, L250L & L300L use 8" round duct.

Typical ductwork connection to a ventilator
converted to right angle discharge.

USE AND CARE

Ventilator is designed for continuous operation. If desired, it may be controlled using an on/off switch or a solid-state, variable speed control. Follow wiring instructions packed with control, and adhere to all local and state codes, and the National Electrical Code.

⚠ WARNING: To reduce the risk of electric shock, disconnect from power supply before servicing.
To clean blower assembly: Remove access panel, unplug blower from housing, remove blower mounting nuts, and carefully remove blower from housing. Use appropriate vacuum attachment or a soft cloth and mild soap or detergent to clean blower discharge area and wheel. DO NOT ALLOW WATER TO ENTER MOTOR. Make sure blower assembly is completely dry before reinstalling. Motor is permanently lubricated. Do not oil or disassemble motor.



JencoFan



Losone Select Inline Mount Ventilation Models: L100EL, L150EL, L200EL, L250EL & L300EL

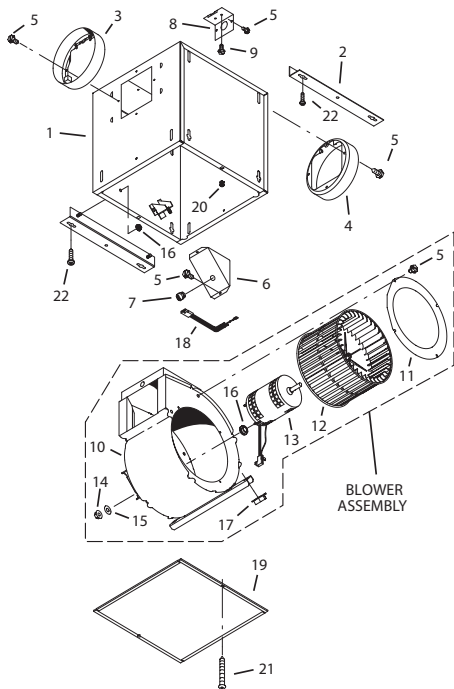
SERVICE PARTS

KEY NO.	PART NO.	DESCRIPTION
1	97014735	Housing Assembly (L100L & L150L)
	97014736	Housing Assembly (L200L, L250L & L300L)
2	97014728	Mounting Bracket (2 req.)
3	97014760	Damper Assembly (6" dia.)
	97014761	Damper Assembly (8" dia.)
4	99390098	Duct Connector (6" dia.)
	99390099	Duct Connector (8" dia.)
5	99150415	Screw, 8-18 x 1/4 (12 req.)*
6	98005513	Wire Box Cover
7	99400035	Strain Relief Bushing
8	98005512	Wiring Plate
9	99150471	Ground Screw, 10-32 x 1/2 (2 req.)
10	97014774	Scroll Assembly (L100L & L150L)
	97014775	Scroll Assembly (L200L, L250L & L300L)
11	98009399	Inlet Ring
12	99110805	Blower Wheel
13	99080481	Motor (L100L)
	99080482	Motor (L150L)
	99080483	Motor (L200L)
	99080484	Motor (L250L)
	99080485	Motor (L300L)
14	99260558	Lock Nut, 8-32 (4 req.)*
15	99250959	Washer (4 req.)*
16	99100491	Grommet (4 req.)
		Blower Assembly, Complete (Includes Key Nos. 5 & 10-16)
	97014800	(L100L)
	97014801	(L150L)
	97014802	(L200L)
	97014803	(L250L)
	97014804	(L300L)
17	99260477	Nut, 1/4-20 (6 req.)*
18	97006039	Wire Harness
19	98009417	Access Panel
20	99420470	Cover Nut (2 req.)
21	99150472	Cover Mounting Screw (2 req.)
22	99150591	Screw, 10-16 x 7/8 (4 req.)*

Order replacement parts by PART NO. - not by KEY NO.

* Standard hardware - may be purchased locally.

SERVICE PARTS



WARRANTY

ONE YEAR LIMITED WARRANTY

Soler & Palau Braidert Air Products Jencofan, warrants all products to be free from defects in material or workmanship for a period of one year from date of shipment. If it appears within one year from date of shipment by the Company to the original purchaser that any such ventilator or the material used therein does not meet the warranties specified above and the purchaser notifies the Company promptly, the Company agrees to remedy any such defect, at the company's option.

This warranty shall not apply to any equipment which has been repaired or altered in any way so as, in the company's judgement, to affect its performance or reliability, nor which has been improperly installed or subjected to misuse, negligence, or accident. Neither shall this warranty apply to labor to remove or install defective parts, profits lost due to failure of the ventilator or electric motors or belts. Electric motors, however, carry the warranty of the motor manufacturer.

This warranty is expressly in lieu of all other warranties expressed or implied, and of all other obligations or liabilities on the company's part. The company neither assumes, nor authorizes any representative or other persons to assume for it, any other liability in connection with the sale of its equipment.

Soler & Palau
Braidert Air Products
Jencofan
6393 Powers Ave
Jacksonville, FL 32217