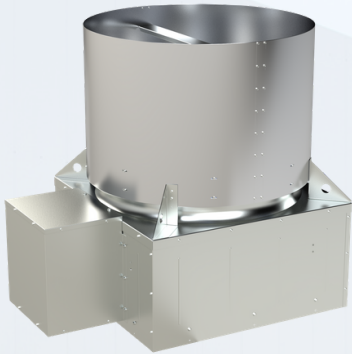




UBSRD - P

REMOTE DRIVE UPBLAST
PROPELLER ROOF EXHAUSTER



UBSRD-P, Remote Drive Upblast Propeller Roof Exhauster, features a highly efficient polypropylene propeller and is an excellent choice for applications that require access to the internal components of the fan from the roof.

MODEL FEATURES

- Exhausts air up to 67,000 CFM in static pressure applications up to 1" w.g.
- Motor and drives are located outside of the exhaust airstream
- Capable of continuous operation exhausting air up to 200° F
- Belt drives permit easy performance adjustments when needed
- Glass Reinforced Polypropylene Propeller
- cULus 705 Listed

APPLICATIONS

- Warehouses
- Manufacturing facilities
- Distribution centers

