



INTELLIVENT

FANS THAT THINK FOR THEMSELVES



PCLP100
Premium CHOICE
Low Profile Model*



MD6-ES24VK
Outside Air
Motorized Damper Kit

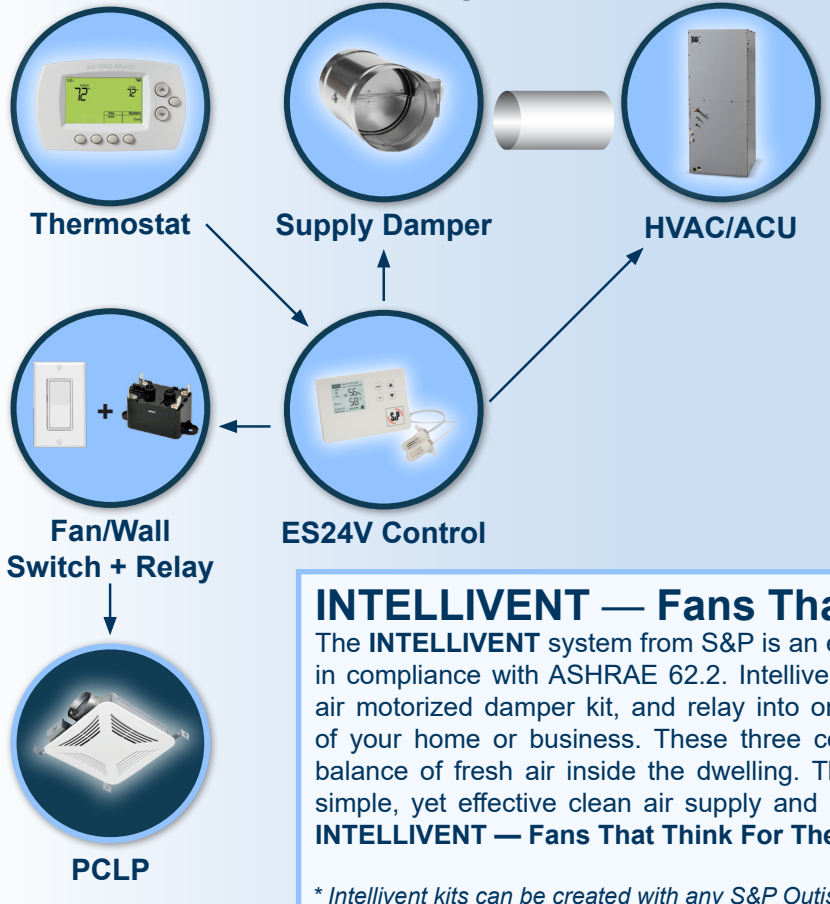


Fan/Wall Switch*
+ R24V Relay

*Wall switch provided by others



The INTELLIVENT System



INTELLIVENT Features:

- A whole house ventilation control with digital display, incorporated into the home's central HVAC system.
- Applicable for single and multi-family construction.
- Includes sturdy, reliable and powered open/spring close damper.
- Activates PCLP100 (Premium Choice Bathroom Fan) to give supplemental ventilation to meet ASHRAE 62.2.
- In compliance with ASHRAE 62.2, IRC, IMC, and IECC 2012-2015.
- 6 years system warranty when used with an S&P select fan or fan/light.

INTELLIVENT — Fans That Think For Themselves

The INTELLIVENT system from S&P is an energy efficient, balanced whole house ventilation solution in compliance with ASHRAE 62.2. Intellivent combines a low profile bathroom exhaust fan, outside air motorized damper kit, and relay into one quick solution that will improve the Indoor Air Quality of your home or business. These three components work side-by-side to provide a cost-effective balance of fresh air inside the dwelling. This low-cost solution includes everything you need for a simple, yet effective clean air supply and bathroom exhaust system within any home or business.

INTELLIVENT — Fans That Think For Themselves

* Intellivent kits can be created with any S&P Outside Air exhaust fan including TD, TD-Silent, and other PC models!

INTELLIVENT - Details

PCLP100 - Premium CHOICE Low Profile Model



Features & Construction

- Low profile housing design
- Quiet operation 1.2 to 2.0 sones
- Totally enclosed condenser motor for long life
- 4" oval duct connector with built-in backdraft damper
- Motor rated for 30,000 hours continuous on
- Robust steel housing
- Unique grille

Options & Accessories

- Lighted Grilles
- Humidity Sensor
- Speed Control



HVI Certified Performance

		PCLP80	PCLP100
CFM @ Static Pressure	0.1"	80	100
	0.25"	62	86
Sones @ 0.1" Static Pressure		1.2	2.0
Watts @ 0.1" Static Pressure		25.9	24.6
Energy Efficiency (CFMs/Watts)		3.1	4.1
Amps		.35	.40
Bathroom Size (up to ft ²)		75	95

MD6-ES24VK - Outside Air Motorized Damper & Envirosense Ventilation Control Kit



The MD6-ES24VK Outside Air Kit combines the MD6 with the ES24V to allow fresh, clean air to enter the building. The ES24V can command the central HVAC blower to help distribute fresh air through the existing duct work if necessary. It can be programmed to allow outside air to enter intermittently when the temperature is inside of your set temperature and humidity parameters. This prevents hot, humid, or freezing air from flooding your house all at once, while still meeting code. The combination of the control and damper will help you meet ASHRAE 62.2 (2010/2013) and IRC (2012/2015) code standard requirements.

Features & Construction

- Easy to read, back-lit LCD screen
- Simple setup with four-button interface
- Sequences outside air in forced-air systems
- Inputs for optional duct heater and motorized damper
- Comes with ES24V control with 3 models (OFF, ON, and ECO)
- Installation flexibility – ability to override humidity and temperature control
- Measures outdoor humidity and temperature to stop ventilation at adjustable high and low outdoor temperature humidity lockouts
- Can be set to run supply fan continuously or intermittently or using Eco-Mode to turn fan off at set temperature/humidity
- Control programming maintains ASHRAE 62.2-2010 even during high and low temperature limit lockouts

MD6 Specifications

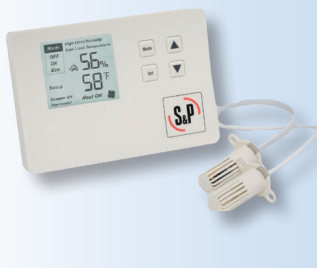
Round Duct Size (in)	6"
Frequency	60 Hz
Voltage	24
Current	0.3A
Ins Class	A
Duty	Int
Rated Ambient (°C)	40

ES24V — Modes of Operation

The ES24V features three modes of operation – 'Off', 'On' and 'Eco' mode:

On Mode – Enables control to comply with building codes requiring on/off and manual override functions. This is an override mode and does not account for the temperature and humidity settings. Use this mode for testing and balancing during the initial fan or damper installation.

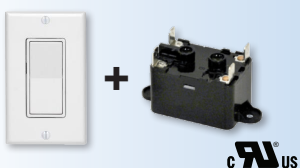
Eco Mode – This mode limits ventilation operation during periods of extreme temperature and/or humidity. The sensors evaluate fresh air conditions continuously. The controller opens the supply damper, activates the AHU, AND engages the INTELLIVENT fan at the same time to provide temperate balanced fresh air.



Fan/Wall Switch* + R24V Relay

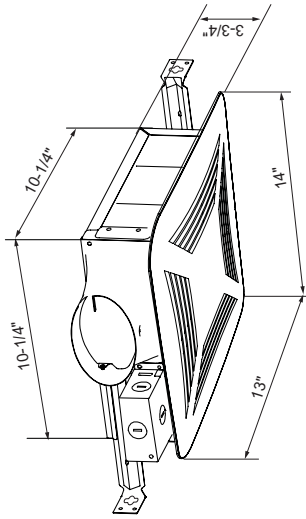
- 24VAC, 12 FLA
- Quick-connect terminals
- Universal mounting bracket
- SPST

*Wall switch provided by others

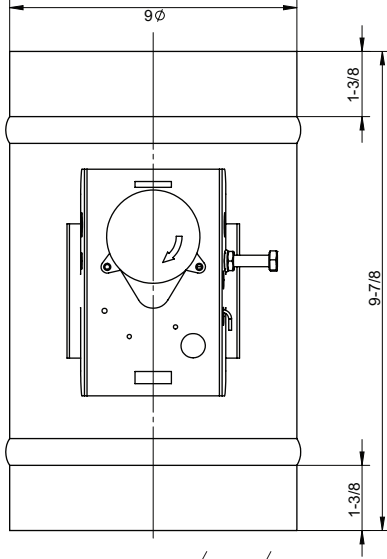


Dimensional Diagrams

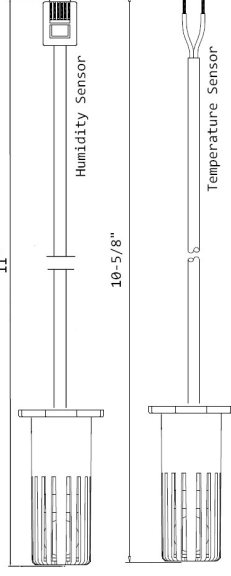
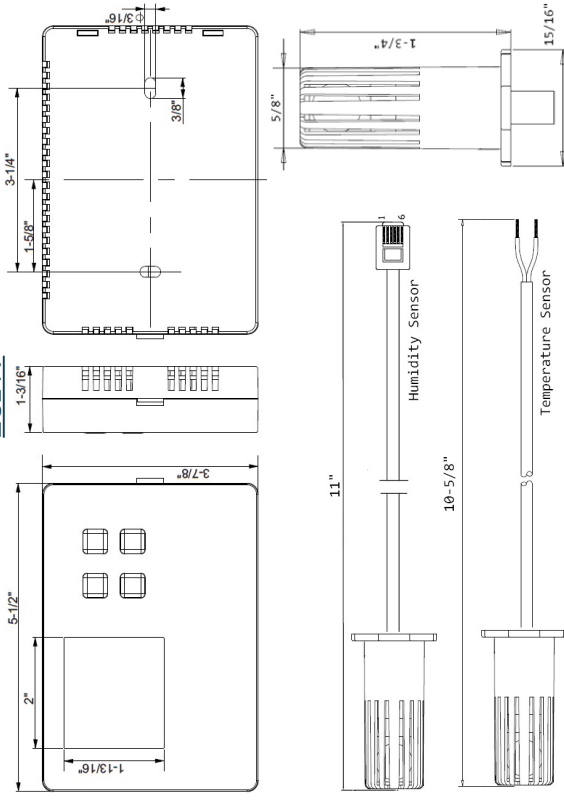
PCLP100



MD6

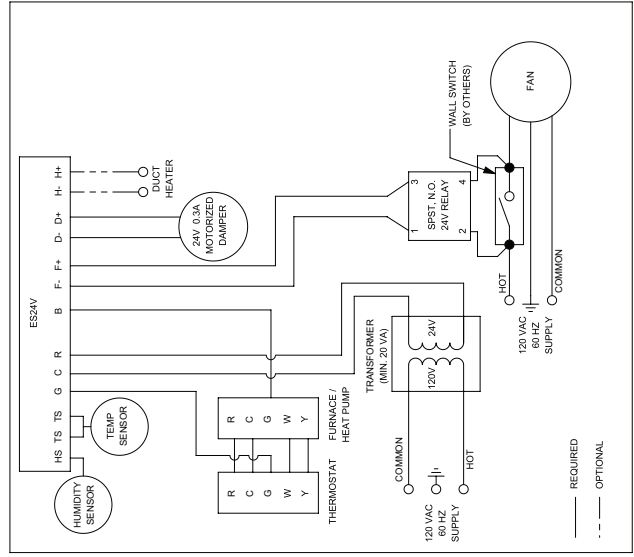


ES24V

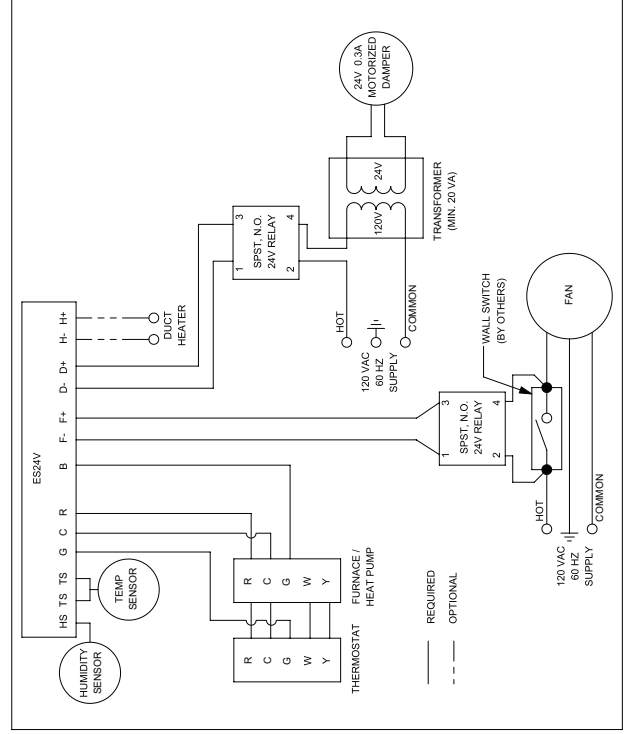


INTELLIVENT Specifications

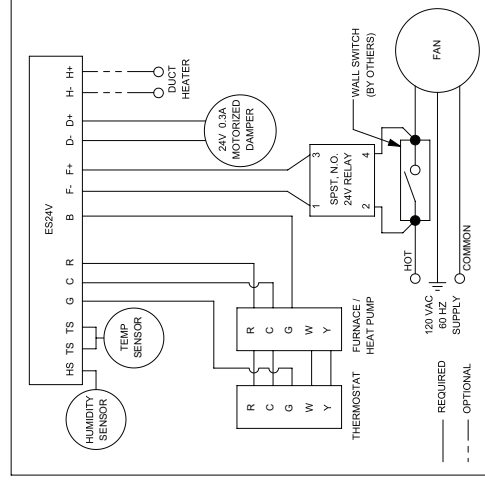
INTELLIVENT Wiring



ES24V
(20VA NOT AVAILABLE FOR DIRECT CONNECTION OF MOTORIZED DAMPER)



ES24V
(20VA NOT AVAILABLE FOR DIRECT CONNECTION OF MOTORIZED DAMPER)



ES24V
(20VA REQUIRED TO OPERATE MD6 MOTORIZED DAMPER. CLASS II POWER SUPPLY CAN COME FROM HVAC TRANSFORMER, IF ADEQUATE, OR AUXILIARY TRANSFORMER IF NECESSARY)



S&P USA Ventilation Systems, LLC

6393 Powers Avenue
Jacksonville, FL 32217
T. 904-731-4711 • F. 904-737-8322
www.solerpalau-usa.com

S&P Canada Ventilation Products, Inc.

6710 Maritz Drive Unit #7
Mississauga, ON L5W 0A1 - Canada
T. 416-744-1217 • F. 416-744-0887
www.solerpalaucanada.com

