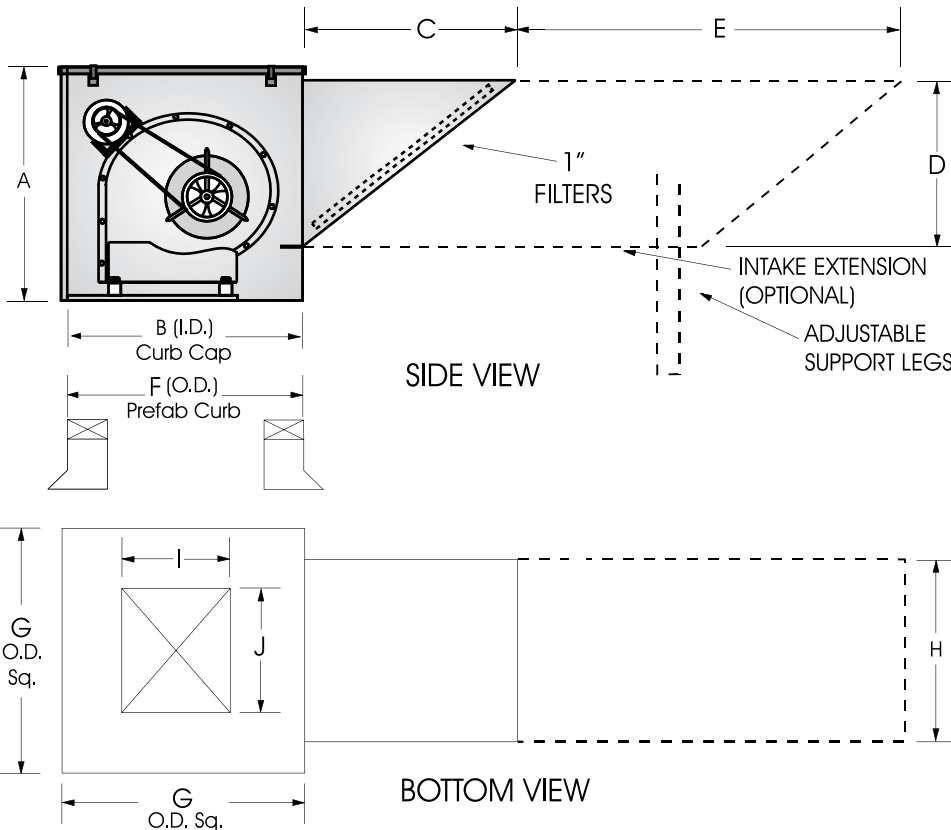


MODEL KSF KITCHEN SUPPLY FAN



61 A Baywood Road
Toronto, Ontario M9V 3Y8
P: 866.733.0233 / F: 866.358.5346
www.solerpalaucanada.com

Soler&Palau
Ventilation Group



| SIZE | A | B SQ. | C | D | E | F | G | H | DAMPER O.D. | I | J | FILTERS (QTY) |
|------|--------|-------|--------|--------|--------|--------|--------|--------|-------------|--------|--------|---------------------|
| 9 | 23-1/4 | 24 | 17-1/2 | 18 | 78-3/4 | 22-3/4 | 24-1/2 | 18 | 19 | 10-1/2 | 12 | 17 1/2 x 23 (1) |
| 10 | 27-1/4 | 28 | 22-1/2 | 21 | 70-1/2 | 26-1/2 | 28-1/4 | 21-3/4 | 23 | 11-5/8 | 13-1/4 | 21 1/2 x 28 1/2 (1) |
| 12 | 32-1/2 | 32 | 26-3/4 | 26-3/8 | 51-1/2 | 30-1/2 | 32-1/2 | 27-1/4 | 27 | 13-5/8 | 15-7/8 | 25 1/2 x 35 1/2 (1) |
| 15 | 37-1/4 | 32 | 32-1/2 | 31-1/2 | 56-1/2 | 30-1/2 | 32-1/2 | 28-3/4 | 27 | 16-1/4 | 18-7/8 | 21 1/2 x 28 1/2 (2) |
| 18 | 41-1/4 | 36 | 35-1/2 | 35-1/2 | 48-1/2 | 34-5/8 | 36-1/2 | 31 | 30 | 19 | 22-1/4 | 24 x 30 (2) |
| 20 | 49-1/4 | 51 | 40 | 35 | 31 | 49 | 51 | 46-1/8 | 45 | 23 | 25 | 25 1/2 x 45 1/2 (2) |

| FAN SPECIFICATIONS | | | | | | | | | MOTOR SPECIFICATIONS | | | | |
|--------------------|------|-----------|-----|-----|----|---------|-----|-------|----------------------|-------|-------|-------|------|
| Line | Qty. | Model No. | Tag | CFM | SP | Fan RPM | BHP | Sones | HP | Volts | Phase | Hertz | Encl |
| 1 | | | | | | | | | | | | | |
| 2 | | | | | | | | | | | | | |
| 3 | | | | | | | | | | | | | |
| 4 | | | | | | | | | | | | | |
| 5 | | | | | | | | | | | | | |

| ACCESSORY ITEMS | | | | | ACCESSORY ITEMS | | | | | | |
|--------------------------|---|---|---|---|-----------------|--------------------------|---|---|---|---|---|
| | 1 | 2 | 3 | 4 | 5 | | 1 | 2 | 3 | 4 | 5 |
| <input type="checkbox"/> | | | | | | <input type="checkbox"/> | | | | | |
| <input type="checkbox"/> | | | | | | <input type="checkbox"/> | | | | | |
| <input type="checkbox"/> | | | | | | <input type="checkbox"/> | | | | | |
| <input type="checkbox"/> | | | | | | <input type="checkbox"/> | | | | | |
| <input type="checkbox"/> | | | | | | <input type="checkbox"/> | | | | | |