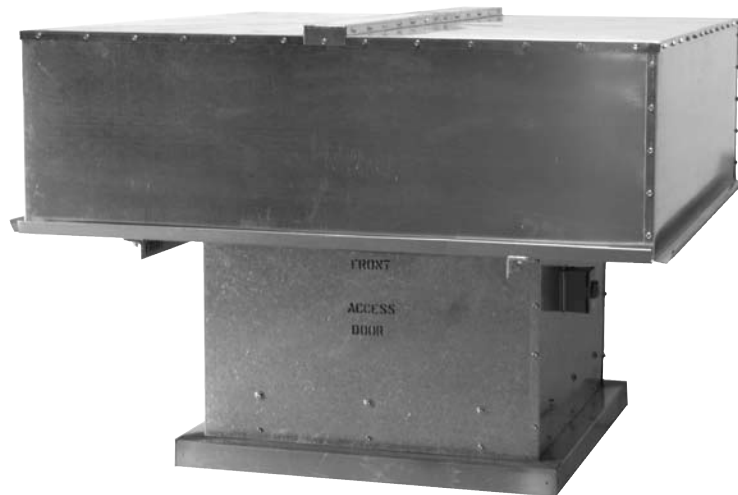


HREB-C & HRED-C Hooded Propeller Roof Exhausters

Belt Drive & Direct Drive

Catalog HRE01-July 2007



The World's Leading Producer of
Air Movement Products



Soler & Palau USA, Div. of Soler & Palau Ventilation Group, certifies that the Models HREB-C shown on pages one, two, three, four, and seven are licensed to bear the AMCA Seal. The ratings shown are based on tests and procedures performed in accordance with AMCA publication 211 and AMCA Publication 311 and comply with the requirement of the AMCA Certified Ratings Program.



Soler & Palau USA, Div. of Soler & Palau Ventilation Group, certifies that the Models HRED-C shown on pages one, two, three, five, six, and seven are licensed to bear the AMCA Seal. The ratings shown are based on tests and procedures performed in accordance with AMCA publication 211 and comply with the requirement of the AMCA Certified Ratings Program.

Soler & Palau
Ventilation Group

COMMERCIAL PRODUCT LINE



Models HREB-C & HRED-C Hooded Propeller Roof Exhausters

Application

Models HREB-C and HRED-C are roof mounted, low profile exhaust fans rated from 5700 to over 40,000 CFM. Performances are rated to 3/4" static pressure. Seven sizes (from 24-60 inches) are available AMCA rated for Air and Sound performance. Fans, hoods and bases are available in galvanized or aluminum construction. They are used to exhaust air from a variety of commercial and industrial operations such as manufacturing and assembly plants, warehouses, garages, laundries and similar buildings.

For greater versatility, reversible blades are available as an option. Exhaust or supply air movement is achieved by a remote reversing switch. The reverse feature can provide positive or negative building pressurization with single or multiple fan units. Maximum utilization of the fans can be achieved with this inexpensive option.

The unit's low silhouette fits today's clean uncluttered building design and its standard all-galvanized construction provides years of resistance to corrosion.

Greater hood strength and weather resistance is achieved from the modular design. Heavy-gauge galvanized hood sections are cross broken and connected by a standing seam for extra strength over conventional hood designs.

The knockdown feature on the larger sizes also provides lower transit costs and ease of jobsite handling. This modular design is one of the strongest and easiest to assemble in the industry. Hood sizes 58 to 78 inch (represents fan sizes 24 to 36 inch) ship assembled. Hood sizes 87 to 123 inch (represent fan sizes 42 to 60 inch) ship knockdown or can be special ordered assembled.

For damper maintenance, an entire side panel of the fan stack easily removes for access. The hood hinges open for motor access. The belt drive fan units all have outboard drives and adjustable motor bases for easy maintenance. These features are standard.

Construction/Specification Checklist

Panel Assembly

- Heavy-gauge G90 galvanized steel panel.
- One piece spun venturi for maximum efficiency.
- All welded support structure of minimum schedule 40 galvanized pipe.
- Motor/bearing plates of minimum 10 gauge galvanized steel.
- All welds coated with cold galvanized paint.

Hood

- All heavy-gauge G90 galvanized steel.
- Low silhouette design for pleasing appearance.
- Unique design rain gutter minimizes water entrainment.
- Gutter provides additional hood strength and rigidity.
- Modular design for extra strength and cost savings.

Base

- All galvanized construction for corrosion resistance.
- Secures fan unit to roof curb.
- Elevates fan unit above curb for ease of damper installation.
- Removable panel for damper access.

Propeller

- Two, three, four or six airfoil aluminum blades.
- Steel hub plate with steel taper lock bushing.
- Hub finished with corrosion resistant epoxy paint.
- Adjustable pitch for optimum efficiency.

Drives (belt drive models)

- Sized for minimum 150% of drive horsepower.
- Single belt adjustable pitch sheaves through 3HP.
- Two belt fixed pitch sheaves 5HP through 10HP.
- Adjustable pitch sheaves are optional above 3HP.
- Adjustable tension rods or slide base for belt adjustment.
- Nonstatic oil resistant v-belts.
- Keyed, turned, ground and polished shafts with an anti-rust coating.

Bearings

- Bearings designed for minimum 200,000 hour life, L50.
- Cast iron self-aligning pillow block ball bearings.
- Bearings are sealed, prelubricated with relube fittings.

Motors

- Brands are nationally recognized and locally serviced.
- Open drip-proof construction is standard.
- High-efficiency, explosion proof, totally enclosed, multi-speed and corrosion duty motors can be specified.

AMCA Seal

- Assures ratings of Air and Sound performance.

Options/Accessories

Roof Curb: Prefabricated heavy-gauge galvanized steel, welded construction, 12" high with 1-1/2" treated wood nailer. Options include burglar bars, single and double pitch construction, and additional curb heights.

Disconnect Switch: Nonfused safety disconnects are available for all motor sizes in rain-tight or open enclosures. Explosion proof, Nema 4 and 4X are also available.

Motor Operated Damper: Motor operated for positive closure against backdraft.

Automatic Damper: Automatic damper for ease in installation and backdraft protection.

Bird Screen: 1/2" x 1" wire mesh guard prevents birds and other objects from entering fan.

Remote Drive: The motor is mounted on the stack exterior, out of the airstream. A motor cover is provided.

Fiberglass Insulation: Hood crown is covered with 1/2" fiberglass insulation to reduce fan sound and condensation.

Extended Grease Lines: Extended grease lines allow motor and/or fan bearings to be relubricated from the exterior.

Motor Safety Chain: Secures motor to fan unit to prevent motor accidentally falling during maintenance.

Aluminum Construction: Optional aluminum construction available for external fan components (hood and base) only.

cULus Listed - Standard 705: Assures electrical safety and reliability (not available on HRED-C units).

Epoxy Finish: For use in an alkaline type atmosphere (exceptions are acetic and nitric acids). Epoxy forms an excellent hard, heavy film barrier against chemical attack as well as physical damage from direct impact and abrasion.

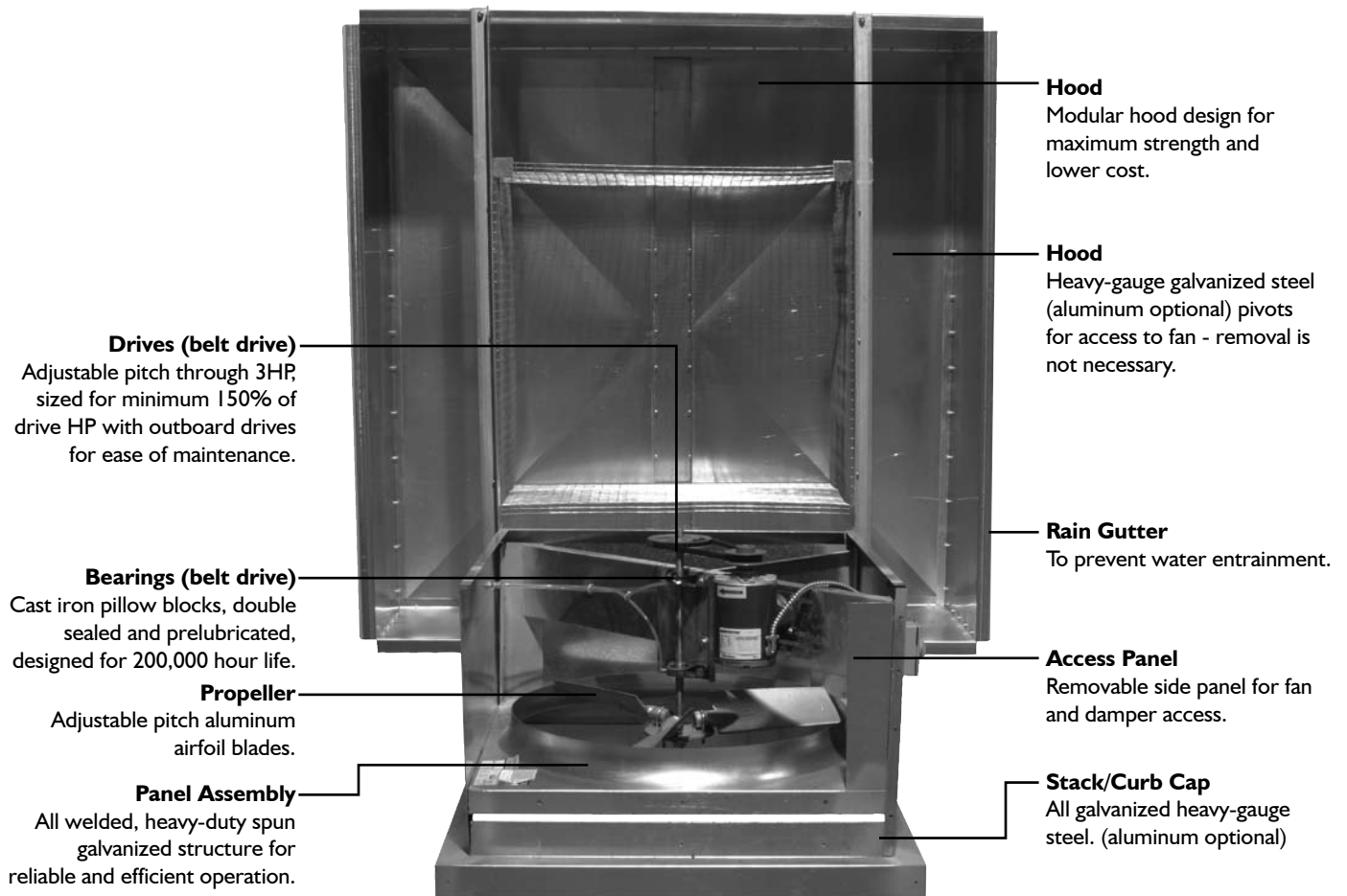
Heresite: Protection against salt atmosphere, humidity and mildly corrosive chemical conditions up to 150° F.

Eisenheiss (synthetic resin): A two-coat air dry finish effective for preventing corrosion by acids, alkalis, fumes, steam and condensation. Eisenheiss is a synthetic resin.

All specifications are subject to change without notice unless approved in submittal by Soler & Palau.

Models HREB-C & HRED-C

All galvanized and welded construction.



Drives (belt drive)

Adjustable pitch through 3HP, sized for minimum 150% of drive HP with outboard drives for ease of maintenance.

Bearings (belt drive)

Cast iron pillow blocks, double sealed and prelubricated, designed for 200,000 hour life.

Propeller

Adjustable pitch aluminum airfoil blades.

Panel Assembly

All welded, heavy-duty spun galvanized structure for reliable and efficient operation.

Hood

Modular hood design for maximum strength and lower cost.

Hood

Heavy-gauge galvanized steel (aluminum optional) pivots for access to fan - removal is not necessary.

Rain Gutter

To prevent water entrainment.

Access Panel

Removable side panel for fan and damper access.

Stack/Curb Cap

All galvanized heavy-gauge steel. (aluminum optional)

AMCA Seal

Assures rating of Air and Sound performance.

Factory Run & Tested

Assures dependable operation.



UL Standard 705 (optional)

Listing assures electrical safety and reliability. Not available on HRED-C units.

SOLER & PALAU USA LIMITED WARRANTY

Soler & Palau USA (manufacturer), 6393 Powers Avenue, Jacksonville, Florida 32217, warrants this equipment to be free from defects in design, materials and workmanship (exclusive of abrasion, corrosion or erosion) for one (1) year from the date of shipment to the original purchaser or the date of notification of readiness to ship. Motor warranty is one (1) year. In order to claim the benefit of this warranty, buyer must notify manufacturer in writing of the claimed defect within ten (10) days after discovering it and return this equipment or parts to the factory with transportation prepaid. In the event of on-site repair, no service technician will be dispatched until manufacturer receives your written purchase order. If any of the following conditions exist, the warranty will be null and void: (1) Buyer has permitted other persons not approved or authorized by manufacturer to alter, adjust, replace or repair the equipment or any part thereof. (2) Buyer has not followed instructions or other directions given in the contract documents or our maintenance manual. (3) When breakage or other loss or damage is the result of any negligence, misuse or fault on the part of any operator or other person not under our supervision or control. (4) The defect is the result of designs or drawings made, furnished or specified by others. (5) In the case of goods not manufactured but supplied by the manufacturer as part of a contract, manufacturer shall only be liable to the same extent that our supplier is to manufacturer, not to exceed any liability manufacturer would have for warranty on our own equipment. (6) Buyer has not paid in full any invoices submitted to buyer which are due for payment. (7) Unusual wear and tear of the equipment. Statements relating to the product, its use or installation made prior to the execution of the agreement, are not warranties except to the extent that the contrary is expressly set forth herein. It is understood that such statements were not intended to, and did not, form a part of the agreement; they were merely made in the course of negotiations of the parties. **THIS WARRANTY IS IN LIEU OF ANY OTHER EXPRESS OR IMPLIED WARRANTIES, INCLUDING ANY IMPLIED WARRANTY OF MERCHANTABILITY OR FITNESS FOR ANY PARTICULAR PURPOSE. OUR SOLE AND EXCLUSIVE OBLIGATION UNDER THIS WARRANTY IS TO REPAIR OR REPLACE DEFECTIVE EQUIPMENT OR PARTS OR, AT OUR OPTION, TO PAY THE REASONABLE COST OF REPAIR OR REPLACEMENT. BUYER AGREES THAT NO OTHER REMEDY (INCLUDING, BUT NOT LIMITED TO, INCIDENTAL OR CONSEQUENTIAL DAMAGES, DAMAGES FOR LOST PROFITS OR SALES, OR DAMAGES FOR INJURIES TO PERSON OR PROPERTY) SHALL BE AVAILABLE. NOTWITHSTANDING THE ABOVE, THE TOTAL AMOUNT THAT MAY IN ANY EVENT BE PAYABLE IN SETTLEMENT OF LIABILITY, HOWEVER INCURRED, SHALL NOT EXCEED THE CONTRACT PRICE.**



HREB-C - Belt Drive

| Model HREB-C | CFM / BHP @ Static Pressure | | | | | | | HP | RPM | Sones @ 5 ft. |
|-----------------|-----------------------------|----------------|----------------|----------------|----------------|----------------|----------------|-------|------|---------------------|
| | 0 | 1/8 | 1/4 | 3/8 | 1/2 | 5/8 | 3/4 | | | |
| 24 | 5702 / 0.377 | 4678 / 0.400 | 3661 / 0.397 | 2480 / 0.392 | 1159 / 0.416 | - | - | 1/3 | 970 | 14.9 |
| | 6525 / 0.565 | 5613 / 0.599 | 4764 / 0.599 | 3792 / 0.595 | 2730 / 0.587 | 1582 / 0.624 | - | 1/2 | 1110 | 18.3 |
| | 7466 / 0.847 | 6653 / 0.894 | 5915 / 0.896 | 5153 / 0.896 | 4271 / 0.890 | 3399 / 0.891 | 2240 / 0.896 | 3/4 | 1270 | 23 |
| | 8230 / 1.135 | 7482 / 1.193 | 6806 / 1.202 | 6134 / 1.201 | 5417 / 1.193 | 4592 / 1.193 | 3809 / 1.194 | 1 | 1400 | 26 |
| | 9318 / 1.646 | 8647 / 1.722 | 8038 / 1.744 | 7450 / 1.743 | 6850 / 1.743 | 6220 / 1.733 | 5501 / 1.731 | 1-1/2 | 1585 | 32 |
| | 10347 / 2.254 | 9735 / 2.345 | 9176 / 2.382 | 8641 / 2.389 | 8113 / 2.384 | 7569 / 2.386 | 7003 / 2.382 | 2 | 1760 | 38 |
| 30 | 7209 / 0.404 | 5018 / 0.387 | 3176 / 0.370 | - | - | - | - | 1/3 | 680 | 13.2 |
| | 8269 / 0.610 | 6517 / 0.591 | 4594 / 0.558 | 3076 / 0.565 | - | - | - | 1/2 | 780 | 16.3 |
| | 9435 / 0.906 | 7802 / 0.879 | 6092 / 0.852 | 4715 / 0.826 | 3378 / 0.842 | - | - | 3/4 | 890 | 20 |
| | 10389 / 1.209 | 8811 / 1.173 | 7407 / 1.157 | 5963 / 1.135 | 4761 / 1.106 | 3524 / 1.129 | - | 1 | 980 | 24 |
| | 11874 / 1.805 | 10351 / 1.752 | 9420 / 1.752 | 7876 / 1.698 | 6728 / 1.674 | 5675 / 1.648 | 4619 / 1.667 | 1-1/2 | 1120 | 29 |
| | 13093 / 2.420 | 11601 / 2.350 | 10764 / 2.349 | 9647 / 2.312 | 8292 / 2.277 | 7287 / 2.216 | 6332 / 2.209 | 2 | 1235 | 34 |
| | 15001 / 3.640 | 13542 / 3.539 | 12783 / 3.532 | 12052 / 3.533 | 10959 / 3.478 | 9741 / 3.424 | 8829 / 3.431 | 3 | 1415 | 44 |
| 36 | 8786 / 0.387 | 6104 / 0.389 | 2134 / 0.352 | - | - | - | - | 1/3 | 580 | 13.3 |
| | 10073 / 0.584 | 7683 / 0.594 | 5107 / 0.550 | - | - | - | - | 1/2 | 665 | 16.5 |
| | 11588 / 0.889 | 9473 / 0.904 | 7492 / 0.863 | 4732 / 0.744 | - | - | - | 3/4 | 765 | 20 |
| | 12724 / 1.176 | 10811 / 1.197 | 9014 / 1.181 | 6896 / 1.104 | 3781 / 1.012 | - | - | 1 | 840 | 23 |
| | 14542 / 1.756 | 12808 / 1.788 | 11215 / 1.788 | 9677 / 1.708 | 7717 / 1.648 | 5057 / 1.472 | - | 1-1/2 | 960 | 29 |
| | 15981 / 2.331 | 14338 / 2.374 | 12909 / 2.372 | 11537 / 2.340 | 9985 / 2.263 | 8167 / 2.193 | 5673 / 1.949 | 2 | 1055 | 33 |
| | 18329 / 3.516 | 16799 / 3.580 | 15675 / 3.578 | 14345 / 3.579 | 12167 / 3.530 | 11855 / 3.414 | 10286 / 3.301 | 3 | 1210 | 42 |
| | 21737 / 5.865 | 20331 / 5.964 | 19363 / 5.974 | 18375 / 5.969 | 17234 / 5.969 | 16243 / 5.940 | 15229 / 5.892 | 5 | 1435 | 55 |
| 42 | 12466 / 0.600 | 8498 / 0.543 | 3210 / 0.541 | - | - | - | - | 1/2 | 500 | 14.9 |
| | 14211 / 0.889 | 10756 / 0.820 | 7172 / 0.806 | - | - | - | - | 3/4 | 570 | 18.1 |
| | 15707 / 1.200 | 12613 / 1.104 | 9405 / 1.079 | 5533 / 1.100 | - | - | - | 1 | 630 | 21 |
| | 17951 / 1.792 | 15283 / 1.648 | 12444 / 1.651 | 9640 / 1.618 | 5864 / 1.639 | - | - | 1-1/2 | 720 | 26 |
| | 19821 / 2.412 | 17431 / 2.228 | 14861 / 2.223 | 12333 / 2.169 | 9694 / 2.190 | 5655 / 2.191 | - | 2 | 795 | 30 |
| | 22688 / 3.617 | 20627 / 3.372 | 18414 / 3.325 | 16163 / 3.331 | 13965 / 3.253 | 11091 / 3.274 | 8937 / 3.314 | 3 | 910 | 37 |
| | 26927 / 6.047 | 25212 / 5.715 | 23392 / 5.574 | 21505 / 5.563 | 19606 / 5.569 | 17740 / 5.453 | 15894 / 5.439 | 5 | 1080 | 49 |
| 48 | 15781 / 0.832 | 12968 / 0.908 | 9524 / 0.814 | - | - | - | - | 3/4 | 450 | 16.3 |
| | 17360 / 1.107 | 14879 / 1.199 | 11860 / 1.102 | 8269 / 1.111 | - | - | - | 1 | 495 | 18.9 |
| | 19814 / 1.647 | 17669 / 1.743 | 15126 / 1.761 | 12415 / 1.612 | 9098 / 1.660 | - | - | 1-1/2 | 565 | 23 |
| | 21919 / 2.229 | 19977 / 2.344 | 17838 / 2.432 | 15433 / 2.384 | 12834 / 2.182 | 9694 / 2.256 | - | 2 | 625 | 27 |
| | 25075 / 3.337 | 23364 / 3.512 | 21654 / 3.560 | 19566 / 3.587 | 17502 / 3.470 | 15250 / 3.264 | 12688 / 3.232 | 3 | 715 | 32 |
| | 29809 / 5.606 | 28351 / 5.885 | 26957 / 5.894 | 25466 / 6.081 | 23707 / 6.096 | 21940 / 6.000 | 20177 / 5.563 | 5 | 850 | 43 |
| | 33842 / 8.204 | 32546 / 8.574 | 31316 / 8.634 | 30072 / 8.712 | 28720 / 8.921 | 27168 / 8.936 | 25584 / 8.776 | 7-1/2 | 965 | 53 |
| | 37349 / 11.028 | 36166 / 1.478 | 35044 / 11.602 | 33932 / 11.595 | 32782 / 11.718 | 31524 / 12.008 | 30116 / 12.021 | 10 | 1065 | 62 |
| 54 | 28075 / 2.084 | 24746 / 2.252 | 21152 / 2.357 | 17397 / 2.317 | 13225 / 2.128 | - | - | 2 | 530 | 28 |
| | 32312 / 3.177 | 29421 / 3.371 | 27975 / 3.468 | 23156 / 3.593 | 19939 / 3.532 | 16352 / 3.241 | - | 3 | 610 | 34 |
| | 37874 / 5.116 | 35407 / 5.343 | 32940 / 5.570 | 30341 / 5.745 | 27494 / 5.789 | 24714 / 5.687 | 21912 / 5.522 | 5 | 715 | 44 |
| | 43171 / 7.576 | 41007 / 7.836 | 38843 / 8.095 | 36670 / 8.350 | 34336 / 8.520 | 31840 / 8.574 | 29337 / 8.413 | 7-1/2 | 815 | 55 |
| | 47674 / 10.203 | 45714 / 10.489 | 43754 / 10.775 | 41794 / 11.061 | 39797 / 11.325 | 37648 / 11.488 | 35385 / 11.546 | 10 | 900 | 66 |
| 60 | 28479 / 2.264 | 23920 / 2.303 | 19370 / 2.184 | 13910 / 1.862 | - | - | - | 2 | 450 | 26 |
| | 33225 / 3.596 | 29133 / 3.675 | 25508 / 3.586 | 21380 / 3.471 | 16669 / 2.978 | 10364 / 2.639 | - | 3 | 525 | 33 |
| | 38288 / 5.502 | 35426 / 5.623 | 31547 / 5.597 | 28228 / 5.496 | 24575 / 5.311 | 20563 / 5.083 | 15845 / 4.517 | 5 | 605 | 41 |
| | 44301 / 8.523 | 40836 / 8.697 | 38290 / 8.708 | 35595 / 8.567 | 32709 / 8.512 | 29610 / 8.222 | 26232 / 7.869 | 7-1/2 | 700 | 53 |
| | 48414 / 11.124 | 45118 / 11.338 | 42732 / 11.372 | 40389 / 11.315 | 37818 / 11.099 | 35137 / 11.120 | 32275 / 10.731 | 10 | 765 | 62 |

Performance certified is for Installation Type A: Free inlet, Free outlet. BHP does not include transmission losses. The sound ratings shown are loudness values in fan sones at 5 ft. (1.5m) in a hemispherical free field calculated per AMCA Standard 301. Values shown are installation Type A: free inlet fan sone levels.



Soler & Palau USA, Div. of Soler & Palau Ventilation Group, certifies that the Models HREB-C shown herein are licensed to bear the AMCA Seal. The ratings shown are based on test and procedures performed in accordance with AMCA Publication 211 and AMCA Publication 311 and comply with the requirement of the AMCA Certified Ratings Program.



HRED-C Direct Drive (Sizes 24-36)

| Model HRED-C | CFM / BHP @ Static Pressure | | | | | | | HP | RPM | Sones @ 5 ft. |
|-----------------|-----------------------------|---------------|---------------|---------------|---------------|---------------|---------------|-------|------|------------------|
| | 0 | 1/8 | 1/4 | 3/8 | 1/2 | 5/8 | 3/4 | | | |
| 24 | 5991 / 0.541 | 5222 / 0.607 | 4453 / 0.617 | 2966 / 0.597 | 2203 / 0.609 | | | 1/2 | 870 | 16.1 |
| | 6908 / 0.867 | 6081 / 0.86 | 5194 / 0.854 | 3735 / 0.831 | 2780 / 0.842 | 1193 / 0.851 | | 3/4 | 870 | 18 |
| | 5219 / 0.325 | 4327 / 0.384 | 3555 / 0.398 | 2526 / 0.381 | 1709 / 0.363 | | | 1/3 | 1160 | 19.7 |
| | 6390 / 0.570 | 5597 / 0.622 | 4739 / 0.627 | 3798 / 0.617 | 2572 / 0.617 | 1297 / 0.606 | | 1/2 | 1160 | 21 |
| | 7394 / 0.892 | 6553 / 0.902 | 5687 / 0.893 | 4861 / 0.874 | 3918 / 0.884 | 2755 / 0.892 | 1715 / 0.983 | 3/4 | 1160 | 23 |
| | 8361 / 1.237 | 7480 / 1.247 | 6758 / 1.248 | 6041 / 1.239 | 5084 / 1.215 | 3481 / 1.239 | 2323 / 1.258 | 1 | 1160 | 24 |
| | 8800 / 1.662 | 8133 / 1.726 | 7560 / 1.746 | 6979 / 1.736 | 6254 / 1.710 | 4759 / 1.694 | 4216 / 1.694 | 1-1/2 | 1160 | 25 |
| | 7115 / 0.896 | 6567 / 1.021 | 5995 / 1.045 | 5406 / 1.102 | 4802 / 1.106 | 4138 / 1.114 | 3369 / 1.083 | 1 | 1750 | 31 |
| | 9535 / 1.697 | 8870 / 1.719 | 8189 / 1.728 | 7487 / 1.721 | 6759 / 1.714 | 5990 / 1.683 | 5159 / 1.686 | 1-1/2 | 1750 | 43 |
| 10288 / 2.216 | 9673 / 2.306 | 9112 / 2.342 | 8574 / 2.349 | 8042 / 2.343 | 7494 / 2.346 | 6924 / 2.337 | 2 | 1750 | 37 | |
| 30 | 8058 / 0.597 | 6645 / 0.627 | 5130 / 0.612 | 3974 / 0.570 | | | | 1/2 | 870 | 16.9 |
| | 8885 / 0.852 | 7507 / 0.891 | 6113 / 0.888 | 5383 / 0.878 | 4050 / 0.838 | 2400 / 0.858 | | 3/4 | 870 | 19.7 |
| | 10095 / 1.255 | 8508 / 1.256 | 7085 / 1.208 | 5837 / 1.185 | 4593 / 1.149 | 3590 / 1.140 | 2116 / 1.186 | 1 | 870 | 20 |
| | 11015 / 1.890 | 9970 / 1.890 | 8893 / 1.874 | 8361 / 1.849 | 7542 / 1.690 | 5640 / 1.721 | 4904 / 1.750 | 1-1/2 | 870 | 21 |
| | 12350 / 2.621 | 11159 / 2.505 | 9333 / 2.460 | 7529 / 2.408 | 8180 / 2.307 | 6815 / 2.642 | 5793 / 2.352 | 2 | 870 | 24 |
| | 9274 / 0.860 | 8023 / 0.886 | 6518 / 0.863 | 4673 / 0.820 | 2755 / 0.816 | | | 3/4 | 1160 | 25 |
| | 10694 / 1.267 | 9425 / 1.257 | 7878 / 1.231 | 6528 / 1.159 | 4811 / 1.140 | 2873 / 1.216 | | 1 | 1160 | 29 |
| | 12020 / 1.923 | 10870 / 1.924 | 9633 / 1.896 | 8269 / 1.849 | 7103 / 1.815 | 6316 / 1.821 | 5272 / 1.778 | 1-1/2 | 1160 | 30 |
| | 12847 / 2.523 | 11665 / 2.545 | 10635 / 2.542 | 9601 / 2.517 | 8715 / 2.493 | 7782 / 2.446 | 6963 / 2.324 | 2 | 1160 | 33 |
| | 14635 / 3.789 | 13612 / 3.698 | 12046 / 3.592 | 10947 / 3.559 | 10069 / 3.537 | 9085 / 3.531 | 8146 / 3.391 | 3 | 1160 | 37 |
| | 12938 / 2.463 | 12151 / 2.534 | 11337 / 2.536 | 10304 / 2.536 | 9364 / 2.532 | 8331 / 2.501 | 7503 / 2.464 | 2 | 1750 | 46 |
| 15195 / 3.850 | 14454 / 3.896 | 13595 / 3.898 | 12668 / 3.900 | 11692 / 3.826 | 10813 / 3.791 | 9585 / 3.667 | 3 | 1750 | 54 | |
| 36 | 10708 / 0.780 | 9073 / 0.833 | 7377 / 0.845 | 5612 / 0.808 | | | | 3/4 | 870 | 22 |
| | 12730 / 1.152 | 11041 / 1.200 | 9168 / 1.184 | 7346 / 1.169 | 5061 / 1.101 | | | 1 | 870 | 26 |
| | 13685 / 1.745 | 12339 / 1.718 | 10479 / 1.629 | 8588 / 1.591 | 6455 / 1.569 | 3906 / 1.606 | | 1-1/2 | 870 | 30 |
| | 16374 / 2.409 | 14844 / 2.388 | 13309 / 2.392 | 11779 / 2.312 | 10037 / 2.191 | 7404 / 2.162 | 4676 / 2.102 | 2 | 870 | 28 |
| | 18199 / 3.466 | 16805 / 3.322 | 15502 / 3.285 | 14102 / 3.277 | 12081 / 3.118 | 9540 / 3.143 | 6836 / 3.268 | 3 | 870 | 32 |
| | 14053 / 1.744 | 12929 / 1.849 | 11650 / 1.865 | 10402 / 1.895 | 9167 / 1.882 | 7833 / 1.845 | 6471 / 1.769 | 1-1/2 | 1160 | 34 |
| | 14679 / 2.115 | 13505 / 2.186 | 12290 / 2.221 | 10972 / 2.206 | 9636 / 2.189 | 8405 / 2.172 | 7148 / 2.158 | 2 | 1160 | 35 |
| | 17582 / 3.577 | 16319 / 3.541 | 15067 / 3.534 | 13775 / 3.523 | 12491 / 3.523 | 11275 / 3.512 | 9950 / 3.487 | 3 | 1160 | 37 |
| | 21936 / 5.769 | 20539 / 5.574 | 19232 / 5.503 | 17980 / 5.498 | 16773 / 5.523 | 15581 / 5.523 | 14152 / 5.480 | 5 | 1160 | 47 |
| | 15035 / 3.422 | 14138 / 3.515 | 13355 / 3.547 | 12613 / 3.550 | 11869 / 3.544 | 11060 / 3.555 | 10171 / 3.448 | 3 | 1750 | 74 |
| | 20465 / 5.422 | 19705 / 5.639 | 18927 / 5.770 | 18129 / 5.832 | 17312 / 5.843 | 16476 / 5.826 | 15609 / 5.903 | 5 | 1750 | 75 |
| 24839 / 8.311 | 24078 / 8.482 | 23262 / 8.608 | 22392 / 8.685 | 21480 / 8.718 | 20544 / 8.716 | 19609 / 8.663 | 7-1/2 | 1750 | 81 | |

Performance shown is for Installation Type A: Free inlet, Free outlet. BHP does not include drive losses.



Soler & Palau USA, Div. of Soler & Palau Ventilation Group, certifies that the Models HRED-C shown herein are licensed to bear the AMCA Seal. The ratings shown are based on test and procedures performed in accordance with AMCA Publication 211 and comply with the requirement of the AMCA Certified Ratings Program.



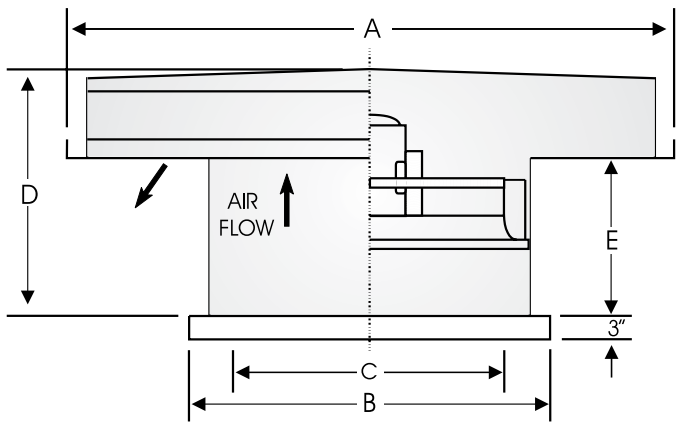
HRED-C Direct Drive (Sizes 42-60)

| Model HRED-C | CFM / BHP @ Static Pressure | | | | | | | HP | RPM | Sones @ 5 ft. |
|-----------------|-----------------------------|----------------|----------------|----------------|----------------|----------------|----------------|-------|------|------------------|
| | 0 | 1/8 | 1/4 | 3/8 | 1/2 | 5/8 | 3/4 | | | |
| 42 | 6570 / 1.609 | 14167 / 1.551 | 11262 / 1.420 | 7973 / 1.426 | - | - | - | 1-1/2 | 870 | 33 |
| | 19940 / 2.305 | 17744 / 2.305 | 15655 / 2.306 | 13058 / 2.215 | 10682 / 2.153 | - | - | 2 | 870 | 37 |
| | 22773 / 3.413 | 20341 / 3.290 | 17842 / 3.153 | 15424 / 3.160 | 13535 / 3.143 | 10973 / 3.067 | - | 3 | 870 | 44 |
| | 21966 / 3.308 | 20500 / 3.444 | 18953 / 3.489 | 17344 / 3.492 | 15718 / 3.518 | 14022 / 3.444 | 12180 / 3.312 | 3 | 1160 | 58 |
| | 26310 / 5.833 | 24753 / 5.770 | 23272 / 5.771 | 21656 / 5.642 | 19945 / 5.643 | 18332 / 5.356 | 16737 / 4.609 | 5 | 1160 | 59 |
| | 20253 / 5.745 | 19103 / 5.648 | 17959 / 5.619 | 16823 / 5.620 | 15703 / 5.493 | 14611 / 5.497 | 13403 / 5.297 | 5 | 1750 | 93 |
| 48 | 20688 / 2.317 | 19025 / 2.402 | 16940 / 2.418 | 15074 / 2.389 | 13092 / 2.184 | 10681 / 2.196 | 7827 / 2.224 | 2 | 870 | 41 |
| | 25857 / 3.483 | 23353 / 3.470 | 20843 / 3.448 | 18197 / 3.344 | 15375 / 3.114 | 12299 / 3.178 | 8647 / 2.975 | 3 | 870 | 44 |
| | 30637 / 5.760 | 28009 / 5.547 | 25382 / 5.505 | 22872 / 5.527 | 20457 / 5.573 | 17925 / 5.584 | 14299 / 5.353 | 5 | 870 | 48 |
| | 34585 / 8.315 | 33085 / 8.498 | 31514 / 8.610 | 29874 / 8.656 | 28175 / 8.648 | 26449 / 8.493 | 24689 / 8.506 | 7-1/2 | 870 | 50 |
| | 37488 / 11.819 | 35927 / 11.332 | 34497 / 11.090 | 32665 / 10.976 | 30613 / 10.985 | 28509 / 10.499 | 26495 / 10.506 | 10 | 870 | 56 |
| | 30735 / 5.883 | 28107 / 5.486 | 25346 / 5.411 | 22591 / 5.430 | 19994 / 5.239 | 17423 / 4.666 | 14714 / 4.779 | 5 | 1160 | 71 |
| | 34476 / 8.257 | 32589 / 8.222 | 30723 / 8.227 | 28848 / 8.230 | 26934 / 8.174 | 24944 / 7.914 | 22873 / 7.765 | 7-1/2 | 1160 | 79 |
| | 38005 / 11.916 | 35927 / 11.509 | 34081 / 11.356 | 32323 / 11.324 | 30562 / 11.337 | 28647 / 10.825 | 26258 / 10.795 | 10 | 1160 | 99 |
| 54 | 27942 / 3.470 | 25431 / 3.528 | 22691 / 3.539 | 19504 / 3.486 | 16154 / 3.296 | 12685 / 3.033 | 9565 / 2.570 | 3 | 870 | 43 |
| | 37098 / 4.879 | 34410 / 5.044 | 31722 / 5.209 | 29013 / 5.310 | 26232 / 5.322 | 23290 / 5.270 | 20389 / 5.119 | 5 | 870 | 58 |
| | 44330 / 8.857 | 41565 / 8.595 | 38801 / 8.333 | 36024 / 8.089 | 33088 / 8.026 | 29922 / 8.003 | 26445 / 7.749 | 7-1/2 | 870 | 67 |
| | 43655 / 11.930 | 40830 / 11.397 | 38170 / 11.216 | 35619 / 11.208 | 33151 / 11.013 | 30745 / 11.003 | 28251 / 10.863 | 10 | 870 | 69 |
| | 27088 / 5.860 | 25568 / 5.788 | 23941 / 5.772 | 22218 / 5.777 | 20425 / 5.606 | 18586 / 5.506 | 16718 / 5.340 | 5 | 1160 | 87 |
| | 36365 / 8.495 | 34710 / 8.753 | 33103 / 8.897 | 31500 / 8.957 | 29856 / 8.955 | 28086 / 8.811 | 26063 / 8.824 | 7-1/2 | 1160 | 92 |
| 60 | 48780 / 11.909 | 45778 / 11.745 | 42747 / 11.728 | 39680 / 11.667 | 36563 / 11.253 | 33414 / 10.753 | 30299 / 10.717 | 10 | 870 | 88 |

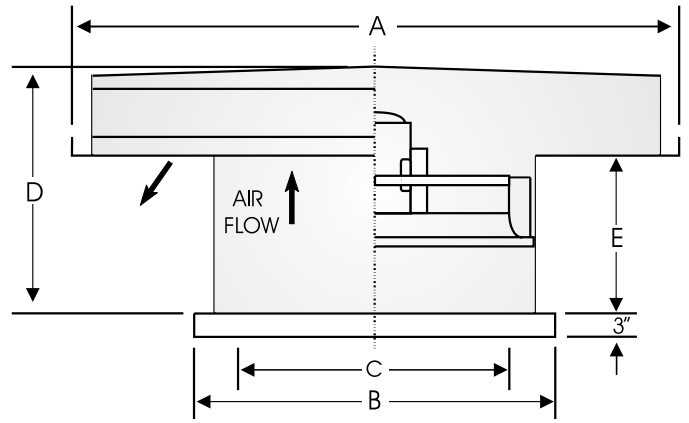
Performance shown is for Installation Type A: Free inlet, Free outlet. BHP does not include drive losses.



Soler & Palau USA, Div. of Soler & Palau Ventilation Group, certifies that the Models HRED-C shown herein are licensed to bear the AMCA Seal. The ratings shown are based on test and procedures performed in accordance with AMCA Publication 211 and comply with the requirement of the AMCA Certified Ratings Program.



Model HREB-C Belt Drive



Model HRED-C Direct Drive

| Size | Dimensions (Inches) | | | | | | Metal Gauges | | | | Avg. Wt. |
|------|---------------------|----|----|----|----|--------|--------------|-----------|------|----------|----------|
| | A | B | C | D | E | F | Hood Crown | Hood Side | Base | Curb Cap | |
| 24 | 58 | 35 | 30 | 44 | 23 | 33-1/4 | 18 | 18 | 16 | 16 | 425 |
| 30 | 66 | 41 | 36 | 44 | 23 | 39-1/4 | 18 | 18 | 16 | 16 | 550 |
| 36 | 78 | 47 | 42 | 44 | 23 | 45-1/4 | 18 | 18 | 16 | 16 | 700 |
| 42 | 87 | 53 | 48 | 51 | 30 | 51-1/4 | 18 | 16 | 16 | 16 | 800 |
| 48 | 99 | 59 | 54 | 51 | 30 | 57-1/4 | 18 | 16 | 16 | 14 | 1100 |
| 54 | 111 | 65 | 60 | 51 | 30 | 63-1/4 | 18 | 16 | 14 | 14 | 1300 |
| 60 | 111 | 71 | 66 | 51 | 30 | 69-1/4 | 18 | 16 | 14 | 14 | 1550 |
| 60 | 123 | 71 | 66 | 51 | 30 | 69-1/4 | 18 | 16 | 14 | 14 | 1690 |

- A** - Outside dimension of square hood.
- B** - Inside dimension of square curb cap.
- C** - Minimum inside dimension of curb or roof opening for rated performance.
- D** - Height of unit above curb cap.
- E** - Height of hood opening above curb cap.
- F** - Outside dimension of prefab curb.

Additional Products

Soler & Palau manufactures a complete line of gravity ventilators and fans for all your ventilation requirements.



MODEL DB
Backward Inclined
Belt Drive
Centrifugal Roof Exhaust



MODEL RED
Backward Inclined
Direct Drive
Centrifugal Roof Exhaust



MODEL SQB/SQD
Backward Inclined
Belt Drive/Direct Drive
Square Inline



MODEL UBB/UBX/UBS
Propeller
Belt and Direct Drive
Upblast Roof Exhaust



MODEL L
Propeller
Belt Drive
Sidewall Exhaust or Supply



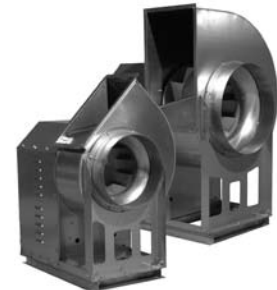
MODEL BGH
Gravity Hood
Intake or Relief



MODEL KSF
Forward Curved Blower
Belt Drive
Filtered Roof Supply



MODEL TXB/TXD
Backward Inclined
Belt Drive/Direct Drive
Centrifugal Upblast



MODEL BVS
Backward Inclined
Belt Drive
Centrifugal Utility Set

DUE TO CONTINUING RESEARCH SOLER & PALAU RESERVES THE RIGHT TO CHANGE SPECIFICATIONS WITHOUT NOTICE

Distributed By:



Soler & Palau Canada
61 A Baywood Road
Toronto, ON M9V 3Y8
866.733.0233
866.358.5346
www.solerpalaucanada.com