



MD6-ES24VK

Installation, Operation, and Maintenance Manual



READ AND SAVE THESE INSTRUCTIONS

The purpose of this manual is to aid in the proper installation and operation of fans manufactured by S&P. These instructions are intended to supplement good general practices and are not intended to cover detailed instruction procedures, because of the wide variety and types of fans manufactured by S&P.

Installation Instructions

MD6-ES24VK

1. WARNINGS

READ AND SAVE THESE INSTRUCTIONS. FAILURE TO COMPLY WITH INSTRUCTIONS COULD RESULT IN PERSONAL INJURY AND/OR PROPERTY DAMAGE!



CAUTION:

- (1) For General Ventilating Use Only. Do Not Use To Exhaust Hazardous Or Explosive Materials And Vapors.
- (2) The MD6-ES24VK is suitable for operation within indoor environments only.

WARNING: TO REDUCE THE RISK OF FIRE, ELECTRIC SHOCK OR INJURY, OBSERVE THE FOLLOWING:

1. Use this unit only in the manner intended by the manufacturer. If you have questions, contact the manufacturer.
2. Before servicing or cleaning unit, switch power off at service panel and lock the service disconnecting means to prevent power from being switched on accidentally. When the service disconnecting means cannot be locked, securely fasten a prominent warning device, such as a tag, to the service panel.
3. Installation work and electrical wiring must be done by qualified person(s) in accordance with all applicable codes and standards, including fire-rated construction.
4. Sufficient air is needed for proper combustion and exhausting of gases through the flue (chimney) of fuel burning equipment to prevent back drafting. Follow the heating equipment manufacturer's guideline and safety standards such as those published by the National Fire Protection Association (NFPA), and the American Society for Heating, Refrigeration and Air Conditioning Engineers (ASHRAE), and the local code authorities.
5. When cutting or drilling into wall or ceiling, do not damage electrical wiring and other hidden utilities.
6. Ducted fans must always be vented to the outdoors.

2. PRE-INSTALLATION INSPECTION

The MD6-ES24VK has been manufactured in accordance with rigorous standards of production. All the components have been checked and tested at the end of the manufacturing process. We recommend that you check the following after receiving this product:

1. The correct size has been received.
2. The correct model has been received.
3. The details on the rating label correspond to the electrical supply: voltage, frequency etc.

Remove the unit from packaging and inspect for shipping damage within 15 days of receipt. If the product is found to be damaged, immediately contact your local authorized supplier. **DO NOT OPERATE THE UNIT IF DAMAGED.** These instructions should be considered as a supplement to EPA standard practices, as well as all state and local building code regulations.

Before installing the product check the following points:

1. The damper blade opens and closes freely.
2. There are no obstructions to the airflow.

3. ENVIRONMENT

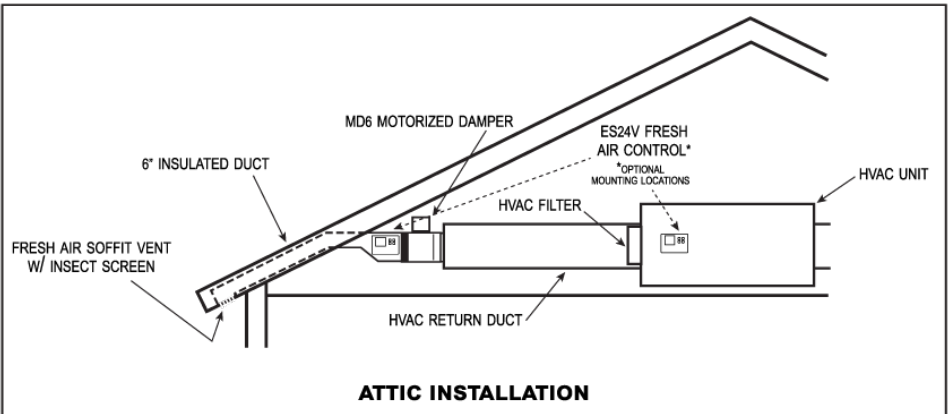
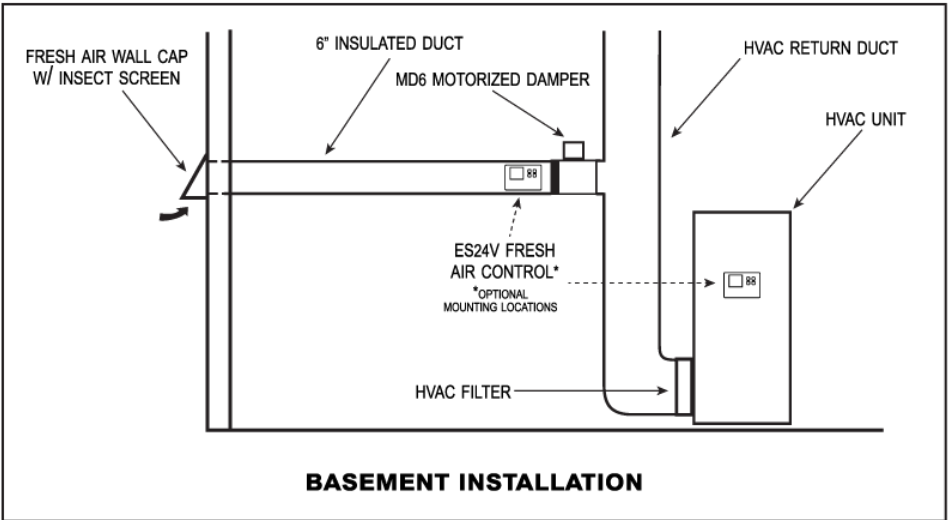
The MD6-ES24VK IS suitable for operation within indoor environments only. The MD6-ES24VK is suitable for the supply of both conditioned and un-conditioned airstreams within the temperature ranges (inclusive of duct airstream's temperature) of -40°C up to +60°C.

4. MOUNTING

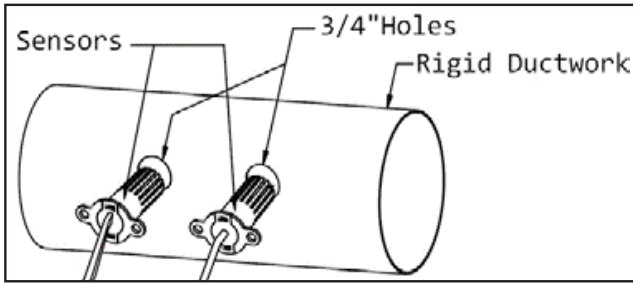
Choose a mounting location which allows convenient wiring and maintenance accessibility. The MD6-ES24VK can be mounted in any orientation, horizontal or vertical, and is suitable for supply/fresh air applications. The MD6 motorized damper will be installed between the fresh air wall cap/roof cap/soffit vent (with insect screen) and the HVAC unit return duct. The ES24V fresh air control can be mounted:



- On the 6" insulated ductwork between the wall cap and the MD6 motorized damper, or (Note, the 24V power wires (R & C) will need to be extended from the HVAC unit power supply or a separate 120V-24V transformer)
- On the HVAC unit (Note, the temperature (26AWG cable) and humidity (6P6C phone cable) sensor wires will need to be extended.)



Make sure the temperature and humidity sensors are installed into the 6" insulated fresh air duct between the wall cap and MD6 motorized damper if necessary.



5. DUCTING

All ducting and fresh air intake construction/location must comply with local and national building codes. Do not locate fresh air intakes near contaminant sources (ex: dryer exhaust vent, garbage, etc). Connect the ductwork to the wall cap and HVAC return duct with screws, cable ties, worm clamps, and rated tape as necessary. Ensure that the ductwork is properly connected to a properly sized, low restriction fresh air intake with weather hood and insect screen.

S&P recommends round 6" insulated rigid ductwork for best air and sound performance. Round 6" flexible ductwork is acceptable, but ensure that it is pulled tight to reduce losses. Keep the length of duct and number of elbows to a minimum for best air and sound performance. Insulated ductwork will minimize building heat loss/gain and reduce the potential for condensation.

The ducting from the HVAC unit fan to the outside of the building has a strong effect on the air flow, noise and energy use of the fan. Use the shortest, straightest duct routing possible for best performance, and avoid installing smaller ducts than recommended. Insulation around the ducts can reduce energy loss and inhibit mold growth.

Ductwork connections and penetrations should be sealed with duct tape, duct fast-clamps, or caulk (available through your local distributor) to create an air-tight path from the building exterior to the ventilated space.

6. WIRING

CAUTION: Ensure that power is turned off and locked out before making any wiring connections.

The MD6-ES24VK operates from a standard 24V 60Hz AC electrical supply. There are multiple wiring scenarios available depending on the installer preferences. The diagrams below show 3 common scenarios where the ES24V is connected either directly to the HVAC unit transformer or an auxiliary transformer and the MD6 is connected either directly to the ES24V damper terminals or to the ES24V damper terminals through a SPST, N.O. 24V relay and transformer. This will depend on the VA available from the HVAC unit transformer. S&P recommends 20VA be available to operate the MD6 motorized damper. If 20VA is not available from the HVAC unit transformer, then an auxiliary transformer to power the ES24V and MD6 is recommended (transformers and relays provided by others).

All wiring must be carried out by a qualified electrician in accordance with National Electrical Code and all applicable state and local buildings codes. Electrical connections should be made in accordance with the following **Figures: 1-3**

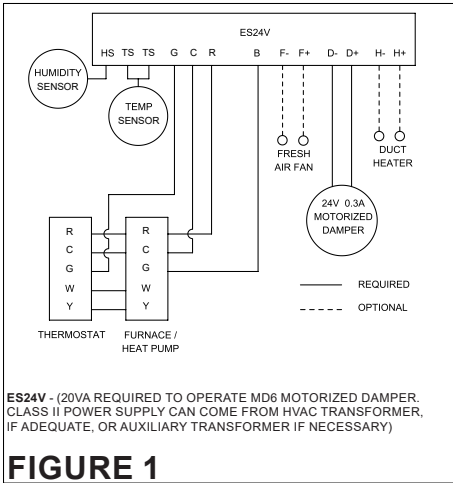


FIGURE 1

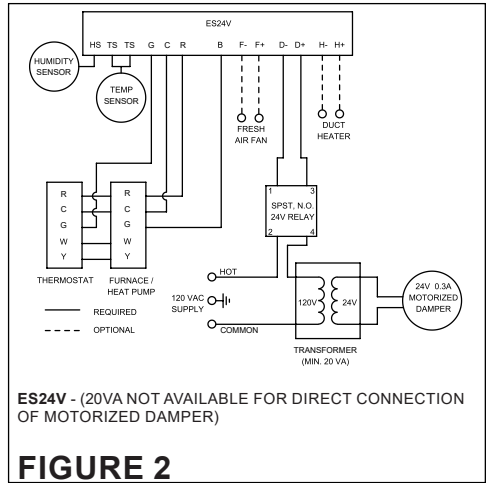


FIGURE 2

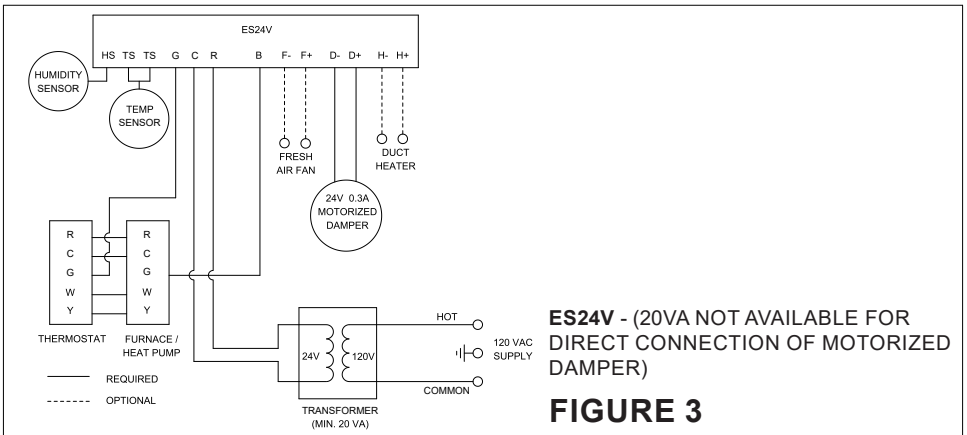


FIGURE 3

Refer to the ES24V – Envirosense Ventilation Control IOM on pages 8-9 for ES24V wiring connections and operation.

7. AIRFLOW SETTING

CAUTION: Refer to local and national Ventilation and Indoor Air Quality standards to ensure the proper airflow rate.



Ensure the HVAC unit air filter is clean and installed. Turn the ES24V to the "ON" position and wait approximately 10 seconds for the HVAC unit fan to turn on and the MD6 motorized damper to open. (Note, ensure that the Motorized Damper is enabled on the ES24V, refer to ES24V IOM on page 8-9). Using a manometer, measure and record the airflow through the fresh air duct (refer to the manometer instructions). Once complete, turn the ES24V to the "OFF" position and calculate the required continuous CFM based on the ventilation code.

ASHRAE 62.2-2010

Required Continuous CFM = $((0.01 * \text{Floor Area in ft}^2) + 7.5(\# \text{ of bedrooms} + 1))$

Example:

2,000 square foot dwelling

3 bedrooms

= 50 CFM continuous

ASHRAE 62.2-2013 & 2016

Required Continuous CFM = $((0.03 * \text{Floor Area in ft}^2) + 7.5(\# \text{ of bedrooms} + 1))$

Example:

2,000 square foot dwelling

3 bedrooms

= 90 CFM continuous

Now that the required continuous CFM is known, calculate the required run time / hour.

Run Time / Hour = $60 * (\text{Required Continuous CFM} / \text{Actual Measured CFM})$

Example (based on ASHRAE 62.2-2010 example above):

50 Required Continuous CFM

150 Actual Measured CFM

= 20 minutes / hour

Set the ES24V to the correct Run Time / Hour and High / Low Temperature & Humidity limits per the ES24V IOM on pages 8-9.



Airflow / Air Velocity Reference Table			
Airflow (CFM)	Duct Size (in)		
	6	7	8
	Air Velocity (FPM)		
30	153	112	86
40	204	150	115
50	255	187	143
60	306	225	172
70	357	262	201
80	407	299	229
90	458	337	258
100	509	374	286
110	560	412	315
120	611	449	344
130	662	486	372
140	713	524	401
150	764	561	430
160	815	599	458
170	866	636	487
180	917	674	516
190	968	711	544
200	1019	748	573

Note, if the Actual Measured CFM is not enough, the installer may need to increase the duct size or add a booster fan if necessary. Ensure there is no blockage in the ductwork first.

9. MAINTENANCE

CAUTION: BEFORE CARRYING OUT ANY MAINTENANCE OR SERVICING, ENSURE THE UNIT IS DISCONNECTED FROM THE MAIN ELECTRICAL SUPPLY.

S&P recommends inspection of the MD6 and ES24V at least once every twelve (12) months. To inspect the unit disconnect from electrical supply. Remove the MD6 motorized damper from the fresh air ductwork and inspect the damper blade for damage and proper function. If any debris is evident on the damper blade clean with a damp (not wet) cloth. DO NOT USE any detergents or abrasive materials for cleaning. Reinstall MD6 motorized damper to the fresh air ductwork and reseal joints.

11. WARRANTY

S&P USA - S&P Canada warrant that the MD6-ES24VK will be free from defective materials and workmanship for the period of (5) years from the date of original purchase. In the event that we find any part is defective the product will be repaired or, in the Company's discretion, replaced without charge provided that the product has been installed in accordance with the enclosed instructions and all applicable EPA Standards and state and local building codes.



IF CLAIMING UNDER WARRANTY: Please return the complete product, freight paid, to your local authorized distributor. All returns must be accompanied by a valid Bill Of Sale. All returns must be clearly marked "Warranty Claim," with an accompanying description stating the nature of the fault. THE FOLLOWING WARRANTIES DO NOT APPLY: Damages from shipping, either concealed or visible. Claim must be filed with the carrier. Damages resulting from improper wiring or installation. Damages caused by acts of nature, or resulting from improper consumer procedures such as: Improper Maintenance; Misuse; Negligence; Alteration; Abuse; Abnormal Use; or Accident or Incorrect Electrical Voltage and Current. Removal or alteration to the S&P USA - S&P Canada data plate label.

WARRANTY VALIDATION: The end user must keep a copy of the Bill of Sale to verify purchase date.

THE ABOVE (5) YEAR WARRANTY IS EXPRESSLY IN LIEU OF ALL OTHER WARRANTIES, EXPRESSED, WRITTEN OR IMPLIED, INCLUDING THE WARRANTIES OF MERCHANTABILITY AND FITNESS FOR USE. IN NO EVENT SHALL Soler & Palau USA - Soler & Palau CANADA BE LIABLE FOR ANY SPECIAL, CONSEQUENTIAL, OR INCIDENTAL DAMAGES, INCLUDING LOSS OF PROPERTY, REVENUES, LOST PROFITS, COSTS OF REMOVAL, INSTALLATION OR REINSTALLATION.



ES24V EnviroSense Ventilation Controller

The ES24V controls a ventilator to meet fresh air supply requirements while limiting operation during periods of extreme temperature and/or humidity.

INSTALLATION & OPERATION MANUAL



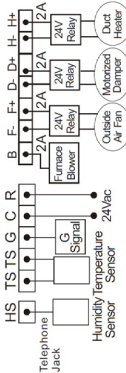
CAUTION:

1. READ AND SAVE THESE INSTRUCTIONS.
2. Before installation or maintenance, disconnect the power supply.
3. All wiring is for 24 VAC applications only.
4. All wiring must be done by qualified person(s) in accordance with all applicable codes & standards.

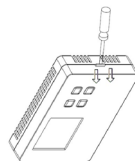
WIRING

Use Copper Conductors Only

Terminal	Type	Description
R	24 Vac	Input: 24Vac input (50/60 Hz)
C	24 Vac	Input: 24 Vac common
G	24 Vac	Input: Furnace Blower (Optional)
B	24 Vac	Output: Furnace Blower (2A max) (Optional)
F+	24 Vac	Output: Fresh Air Fan output + (2A max)
F-	24 Vac	Output: Motorized Damper + (2A max) (Optional)
D+	24 Vac	Output: Motorized Damper - (2A max) (Optional)
D-	24 Vac	Output: Duct Heater output - (2A max) (Optional)
H+	24 Vac	Output: Duct Heater output + (2A max) (Optional)
H-	24 Vac	Output: Duct Heater output - (2A max) (Optional)



MOUNTING



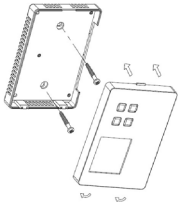
Front Cover Removal
Insert a flathead screwdriver into the slot on the right side of the controller, and apply gentle pressure inward and up so that the front cover disengages from the back cover. Pull the front cover up and to the left.

Back Cover Mounting

Locate the control on the mounting surface being sure to allow clearance for the necessary wiring connections. Mark the mounting hole locations and remove the back cover from the work space. Make the stripped/labelled wiring connections now. **CAUTION: Be sure that no exposed portions of wires are touching.**

If installing onto wood, mount the back cover with the provided screws. If installing onto drywall, drill pilot holes using a #7/32" drill bit (not provided) and tap the provided drywall anchors into place. Mount with provided screws. **NOTE: Velcro can be used to mount the control instead of screws if necessary.**

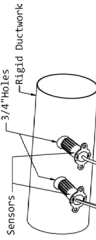
Verify that wiring connections are correct and secure.



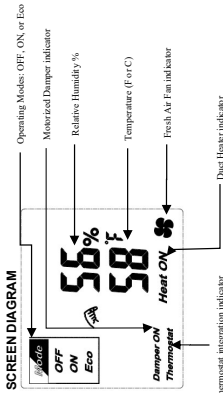
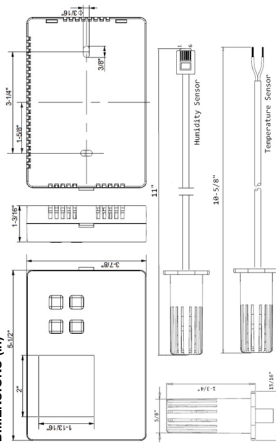
Align the front cover with the back cover starting on the left side. Push the front cover towards the back cover from the left to "hinging" motion from the left to the right. **CAUTION: Make sure the front cover is aligned properly with the back cover to avoid damaging the control.** Press down until the front cover snaps securely into place.

Sensor Mounting

The ES24V comes with a temperature sensor (26AWG, 2 wire) and humidity sensor (6PFC, telephone wire), both 10" long, install the sensors at a location so that they will be exposed to the fresh air intake (ex: the fresh air ductwork). Drill 2, 3/4" diameter holes, spaced appropriately and install the sensors with the provided hardware. **NOTE: the sensor wires can be extended up to 300 feet without deviation.** Use appropriate duct tape to seal joints/openings as necessary.



DIMENSIONS (in)



Thermal integration indicator

OPERATING MODES

ON Mode: All outputs are off.
OFF Mode: The Fresh Air Fan, Motorized Damper (if enabled), and Furnace Blower (if enabled) are on continuously. The Duct Heater will follow the user settings (see FUNCTION SETTINGS below).
Eco Mode: Eco Mode limits the Fresh Air Fan operation during periods of extreme temperature and/or humidity. The Fresh Air Fan, Motorized Damper (when enabled), Furnace Blower (when enabled), and Duct Heater (when enabled) will follow the user settings when the outside air temperature/humidity is within the user set limits (see FUNCTION SETTINGS below).

The Fresh Air Fan will run for the user set amount of time/hour while the temperature/humidity limits are within range. The temperature/humidity sensors evaluate the fresh air conditions every 10 seconds. While the fresh air temperature/humidity is within the user set limits, the Fresh Air Fan/accessories will run per the user settings. When the fresh air temperature/humidity exceeds the user set limits, the Fresh Air Fan/accessories will turn off and engage a timer. The timer will run the fan for 5 minutes every 15 minutes in order to meet code requirements. **NOTE: the Furnace Blower (if enabled) will not run during this check procedure to prevent cycling.** The fan will continue this check procedure until the temperature/humidity limits are within the user set limits.

If Enabled (in SETUP):

The Furnace Blower will be on any time there is a call from "G" input or any time the Fresh Air Fan is on (excluding the check procedure above).
The Motorized Damper will be on anytime the Fresh Air Fan is on. The Duct Heater will be on any time the Fresh Air Fan is on and the set point > room temperature +2°F.
(Motorized Damper, Furnace Blower, and Duct Heater are required to be enabled in SETUP)

BUTTONS

Keys	Description
Mode	Select the operating mode
Set	Confirm settings
▲	Increase settings
▼	Decrease settings



SETUP

Press and hold [MODE] for 3 seconds to enter setup mode.



OR



01 Optional Duct Heater (Default: heater disabled)
Press [▲]/[▼] to enable or disable duct heater.
Press [SET] to confirm settings.



OR



02 Temperature Unit (Default: degrees F)
Press [▲]/[▼] to select degrees C or degrees F.
Press [SET] to confirm settings.



OR



03 Humidity/Temperature (Default: temperature and humidity)
Press [▲]/[▼] to evaluate temperature only, humidity only or both temperature and humidity.
Press [SET] to confirm settings.



OR



04 Optional Motorized Damper (Default: motorized damper disabled)
Press [▲]/[▼] to enable or disable motorized damper.
Press [SET] to confirm settings.



OR



05 Optional Thermostat Integration (Default: standalone system)
Press [▲]/[▼] to enable or disable thermostat integration.
Press [SET] to confirm settings.



06 Fan Run Time per Hour (Default: 15 minutes)

Press [▲]/[▼] to adjust 5-60 Minutes/Hour (Increments of 5).
Press [SET] to confirm settings and return to normal mode.

All setting screens will return to the normal mode screen automatically after 20 seconds.

FUNCTION SETTINGS

Press ->Set key to set the temperature/humidity limits and duct heater set point.



Press [▲]/[▼] to change the high limit temperature setting.
Press [SET] to confirm settings.



Press [▲]/[▼] to change the high limit humidity setting.
Press [SET] to confirm settings.



Press [▲]/[▼] to change the low limit temperature setting.
Press [SET] to confirm settings.



Press [▲]/[▼] to change the low limit humidity setting.
Press [SET] to confirm settings.



Press [▲]/[▼] to change the duct heater activation temperature setting.
Press [SET] to confirm settings and return to normal mode.

FACTORY RESET

Press and hold [▲] & [▼] buttons in OFF mode for ~5 seconds to reset the control to factory settings. will be displayed on the screen when complete.

FEATURES

- ◆ Voltage supply: 24VAC +/- 15% 50/60Hz
- ◆ System mode: Off / On / Eco
- ◆ Temperature unit mode: °F or °C
- ◆ Temperature measurement range: 15°F - 130°F (-10°C to 55°C)
- ◆ High Limit Temperature settings range: 65 - 105°F (18°C to 40°C)
- ◆ Low Limit Temperature settings range: 20 - 60°F (-6°C to 16°C)
- ◆ Heater Temperature settings range: 32°F - 62°F (0°C - 16°C)
- ◆ Temperature resolution: 1 °F or 0.5°C
- ◆ Temperature Accuracy: +/- 1 °F or 0.5°C
- ◆ Humidity measurement range: 10-95%
- ◆ High Limit Humidity settings range: 55-90%
- ◆ Low Limit Humidity settings range: 10-50%
- ◆ Humidity resolution: 1%
- ◆ Humidity Accuracy: +/- 5%
- ◆ 10 inch RJ11 (6 wires) phone cable for humidity sensor
- ◆ 10 inch 26AWG (2 wires) cable for temperature sensor
- ◆ Max. Sensor Wire Length: 300 feet (100 m)
- ◆ Motorized Damper relay output (Maximum 2A)
- ◆ Fan relay output (Maximum 2A)
- ◆ Duct Heater relay output (Maximum 2A)
- ◆ Furnace Blower Output (Maximum 2A)
- ◆ Non-volatile memory to store settings, configuration parameters
- ◆ Operating Temperature: 15°F to 130°F (-10 °C to 55°C)
- ◆ Storage Temperature: -20°F to 158°F (-29 °C to 70°C)
- ◆ Temperature limit of mounting surface: 130°F (55°C)
- ◆ Terminals: 2.5mm² cable
- ◆ Pollution Degree: 2
- ◆ Degree of protection: IP20
- ◆ Electronic control: Type 2.B
- ◆ Class II Control
- ◆ ULus listed: UL60730-1
- ◆ Housing Material: Lexan 943(1f), 1.6mm thick, V-0 (UL94 Rating)
- ◆ Time Setting Range: 5-60 Minutes
- ◆ Power: 1.5W (Max)

180129





S&P USA Ventilation Systems, LLC

6393 Powers Avenue
Jacksonville, FL 32217
T. 904-731-4711 • F. 904-737-8322
www.solerpalau-usa.com

S&P Canada Ventilation Products, Inc.

6710 Maritz Drive Unit #7
Mississauga, ON L5W 0A1 - Canada
T. 416-744-1217 • F. 416-744-0887
www.solerpalaucanada.com

